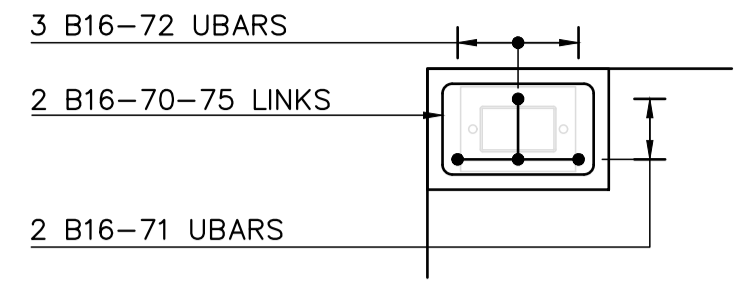
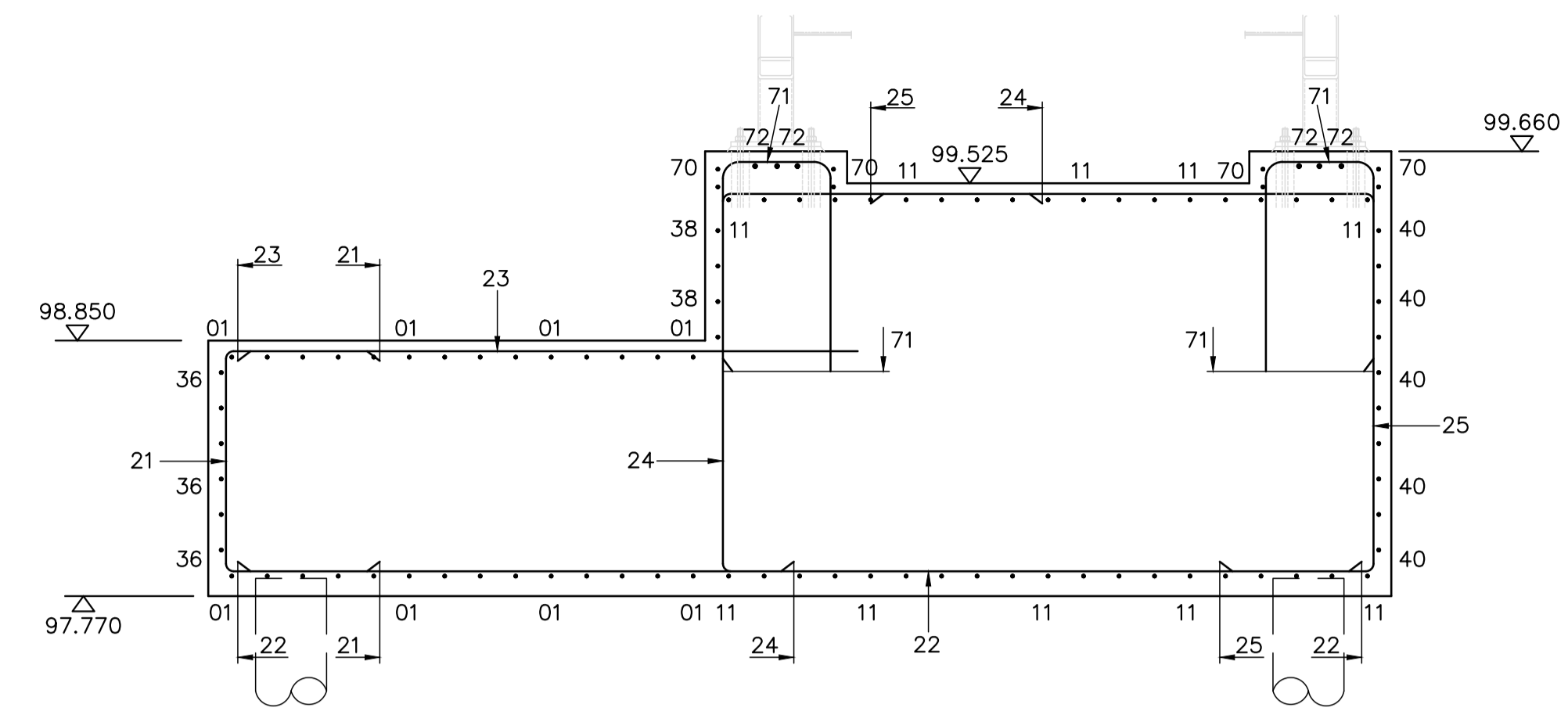


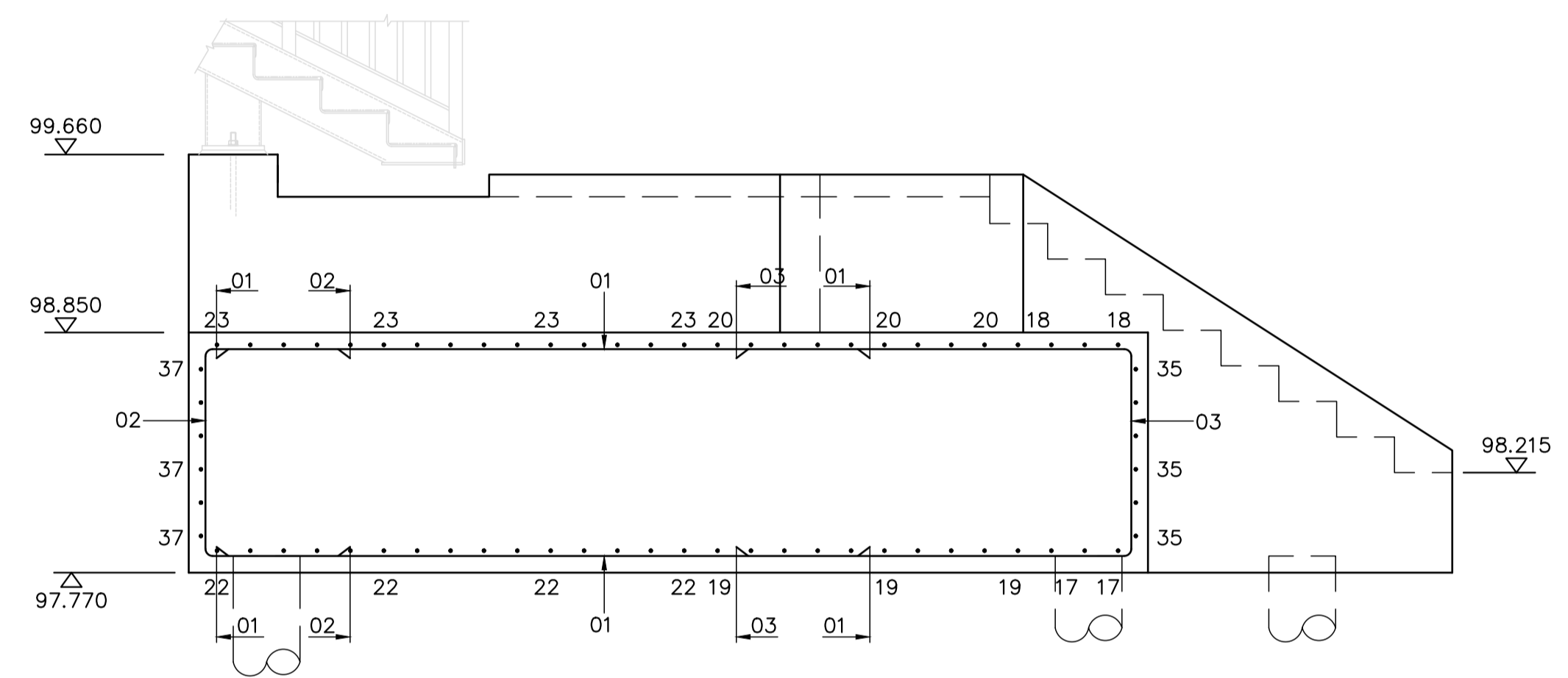
PLAN ON FOUNDATION 5
1:25



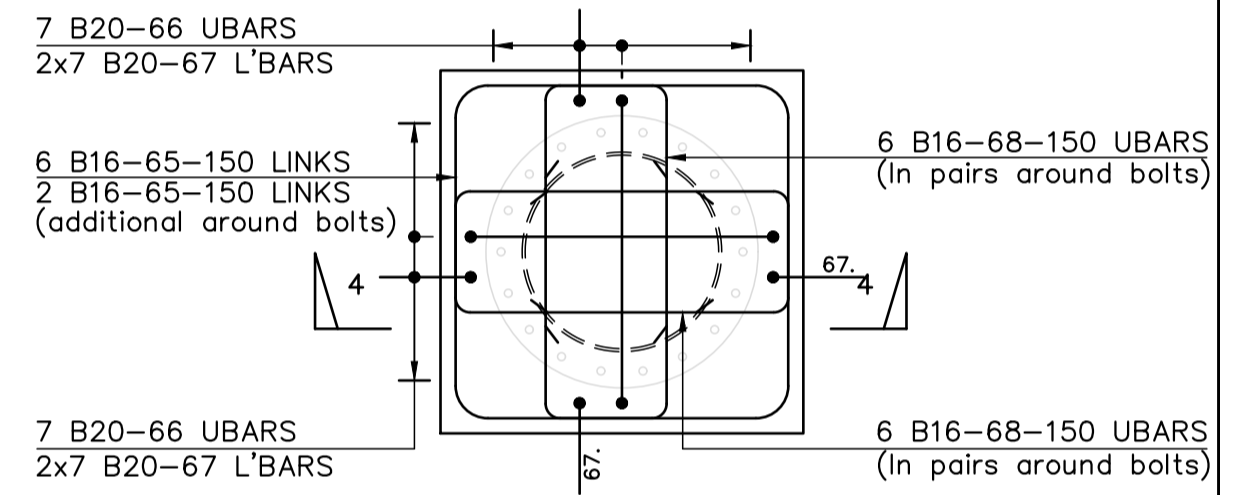
COLUMN PLINTH DETAIL B
(2 No. THUS)
1:25



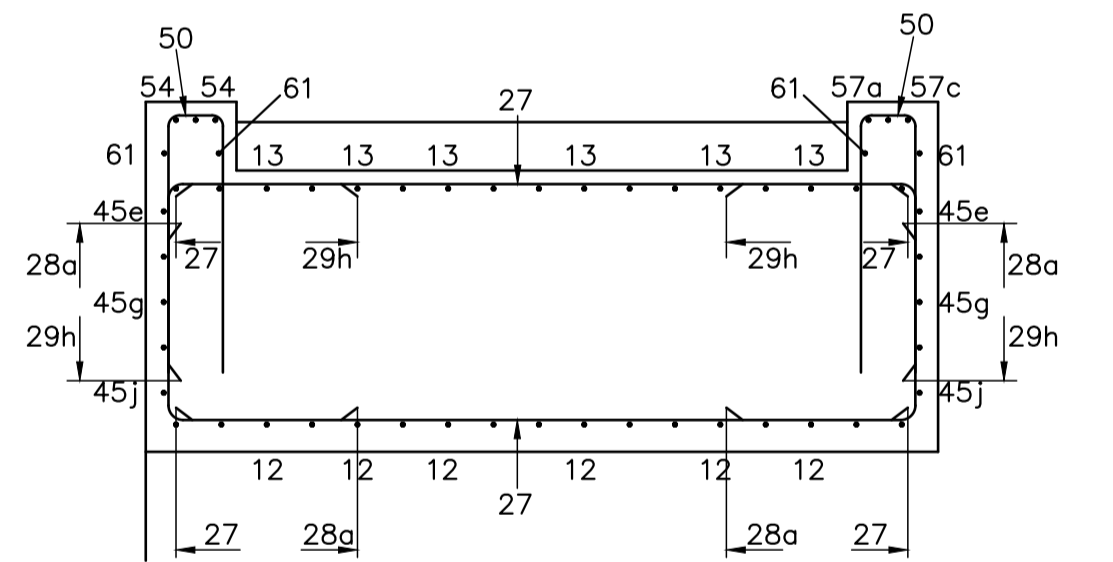
SECTION 1~1
1:25



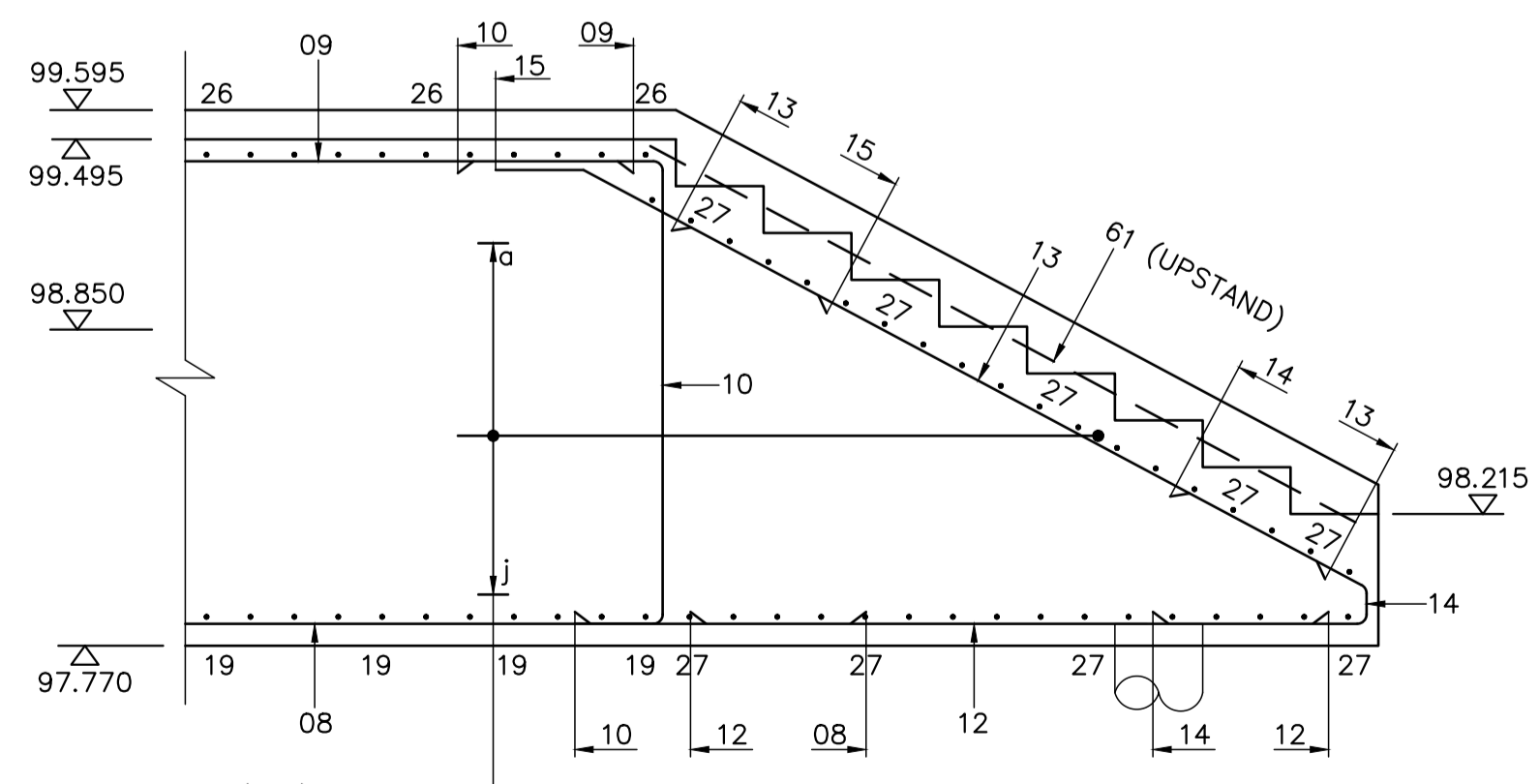
SECTION 2~2
1:25



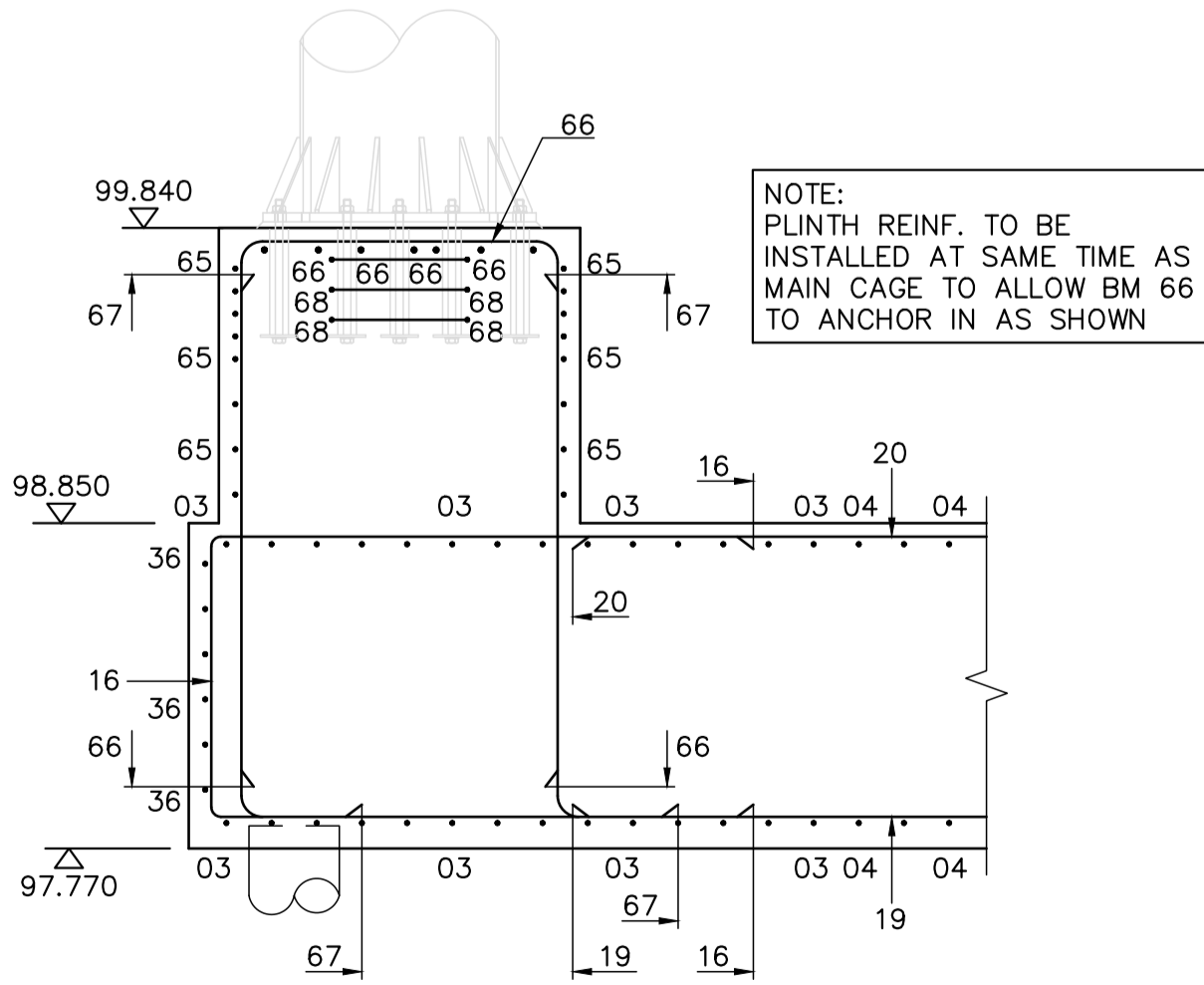
COLUMN PLINTH DETAIL A
1:25



SECTION 5-5
1:25

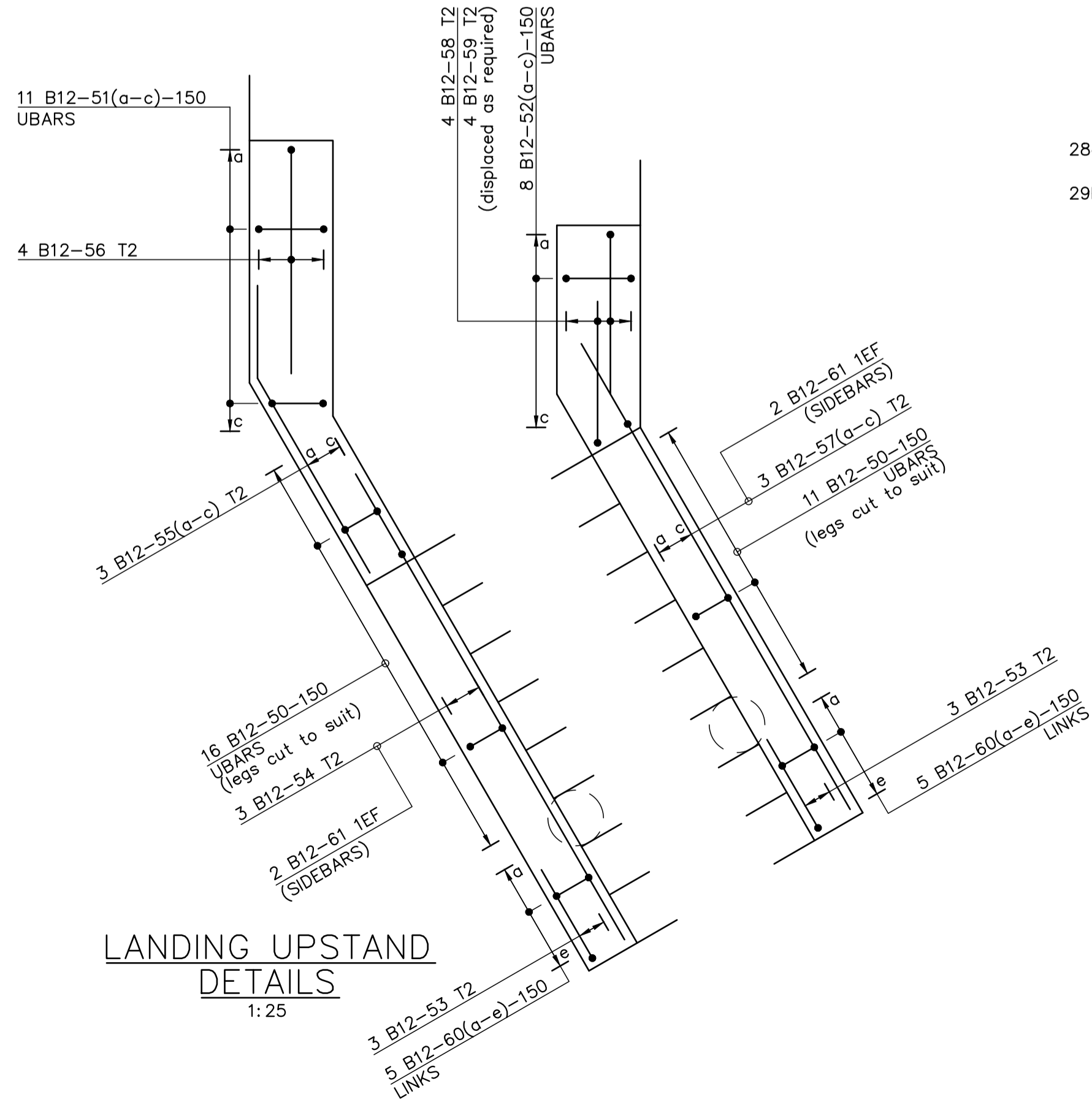


SECTION 3~3
1:25



SECTION 4~4
1:25

NOTE:
PLINTH REINF. TO BE
INSTALLED AT SAME TIME AS
MAIN CAGE TO ALLOW BM 66
TO ANCHOR IN AS SHOWN



LANDING UPSTAND
DETAILS
1:25

- NOTES:**
- ALL DIMENSIONS ARE IN MILLIMETRES UNLESS STATED OTHERWISE
 - REINFORCEMENT IS SCHEDULED IN ACCORDANCE WITH BS 8666-2005
 - ALL REINFORCEMENT TO BE B500B OR B500C CONFORMING TO BS 4449-2005
 - MINIMUM LAP LENGTHS, UNLESS OTHERWISE SHOWN ARE:
B12 = 450
B16 = 550
B20 = 650
 - LAPS BETWEEN BARS OF DIFFERENT SIZES ARE TO SUIT THE SMALLER BAR.
 - MINIMUM COVER TO REINFORCEMENT TO BE 45mm. MAXIMUM COVER TO BE 60mm (THIS INCLUDES FIXING TOLERANCE OF 15mm)
75mm COVER BOTTOM
 - FOR BAR BENDING SCHEDULES REFER TO 1511_019 / 01~08.
 - ABBREVIATIONS
T1 = TOP FIRST LAYER
T2 = TOP SECOND LAYER
B1 = BOTTOM FIRST LAYER
B2 = BOTTOM SECOND LAYER
SSL = STRUCTURAL SLAB LEVEL
T.O.C = TOP OF CONCRETE
LL = LONG LEG
ABR = ALTERNATE BARS REVERSED
ALT = ALTERNATELY PLACED BARS