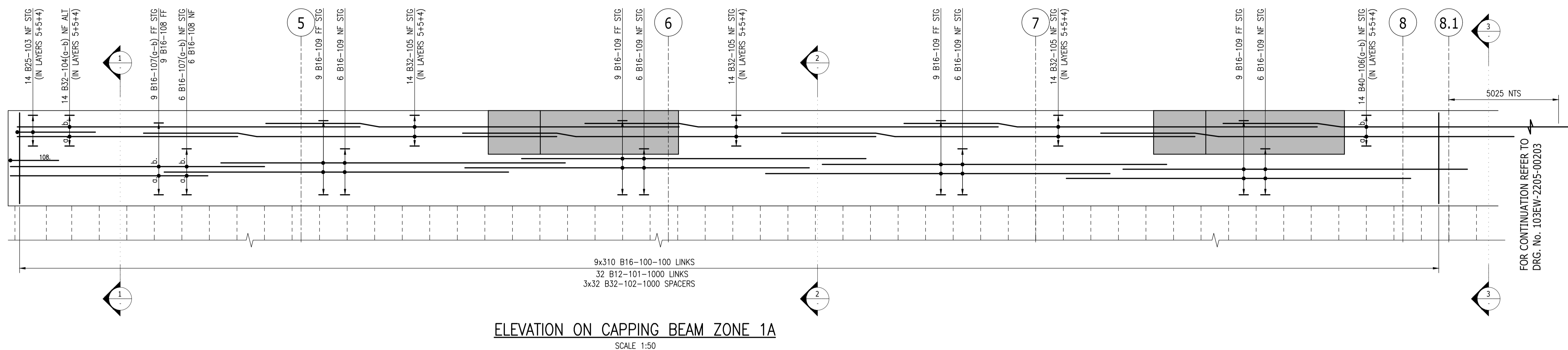


IMPORTANT NOTE :
THIS DRAWING TO BE READ IN CONJUNCTION WITH ALL
RELEVANT RAMBOLL DRAWINGS AND SPECIFICATIONS

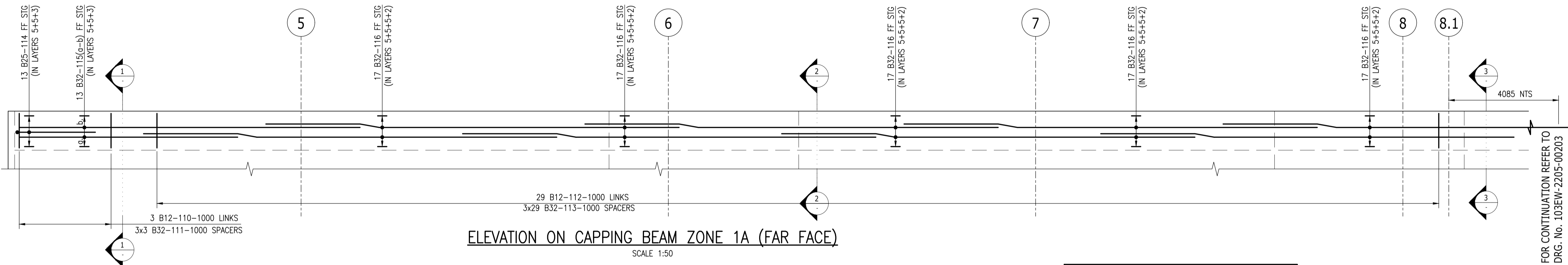


ELEVATION ON CAPPING BEAM ZONE 1A

SCALE 1:50

FOR CONTINUATION REFER TO
DRG. No. 103EW-2205-00203

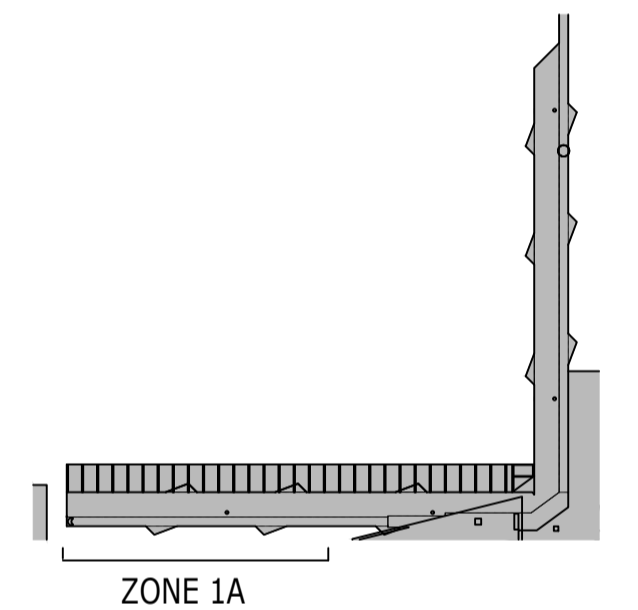
1. This drawing shall be read in conjunction with all relevant drawings.
2. Concrete grade to be C40/50.
3. for bar bending schedules refer to schedules nos. 103EW-2205-B500201/01.
4. Minimum cover to all reinforcement to be as follows:
Top - 55mm
Btm - 30mm
Inside Face - 30mm
Outside Face - 55mm
Outside Face (Beam) 55mm
5. All concrete work to be in accordance with BS EN 1992 (EC2) and all relevant standards.
T1 = Top first layer
T2 = Top second layer
B1 = Bottom first layer
B2 = Bottom second layer
SSL = Structural slab level
T.O.C = Top of concrete
LL = Long leg
ABR = Alternate bars reversed
ALT = Alternately placed bars
STG = Staggered
6. Minimum reinforcement laps and anchorages as shown on drawing.
7. Stock Steel is excluded from drawings and bending schedules, to be determined by contractor.
8. Tonnages shown on bending schedules are for guidance and are approximate.
9. Drawings and bending schedules are to be approved by Ramboll before reinforcement is ordered and works begin on site.



ELEVATION ON CAPPING BEAM ZONE 1A (FAR FACE)

SCALE 1:50

FOR CONTINUATION REFER TO
DRG. No. 103EW-2205-00203



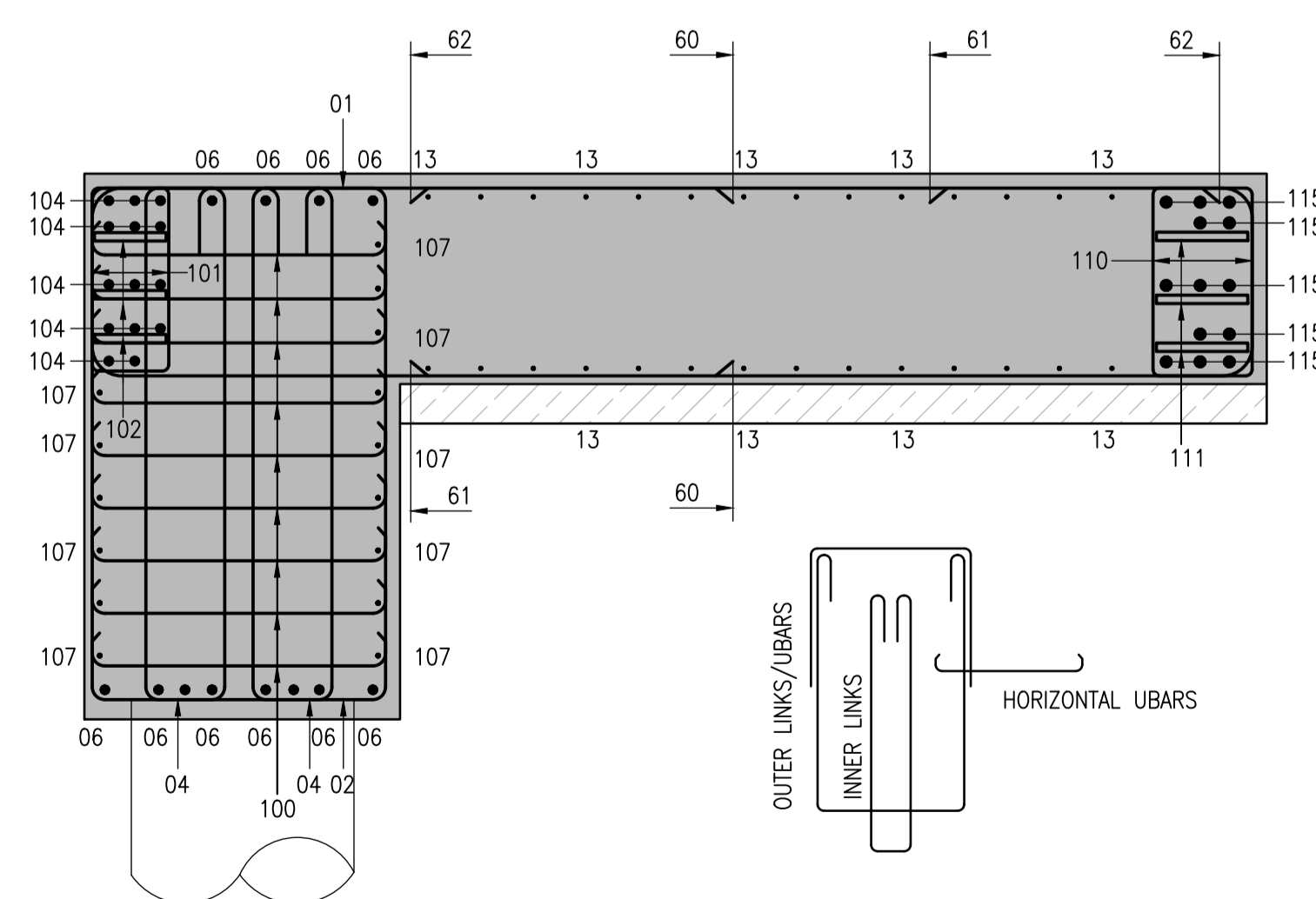
IMPORTANT NOTE :
THIS DRAWING TO BE READ IN CONJUNCTION WITH
103EW-2205-00207 (SLAB & COLUMN STARTERS)
AS CAST IN COMPONENTS TO BE INSTALLED WITH
REBAR SHOWN ON THIS DRAWING

Minimum reinforcement anchorages to be as follows

B16	- 700mm
B20	- 850mm
B25	- 1075mm
B32	- 1350mm
B40	- 1850mm

Minimum reinforcement laps to be as follows

B16	- 950mm
B20	- 1225mm
B25	- 1600mm
B32	- 2050mm
B40	- 2775mm

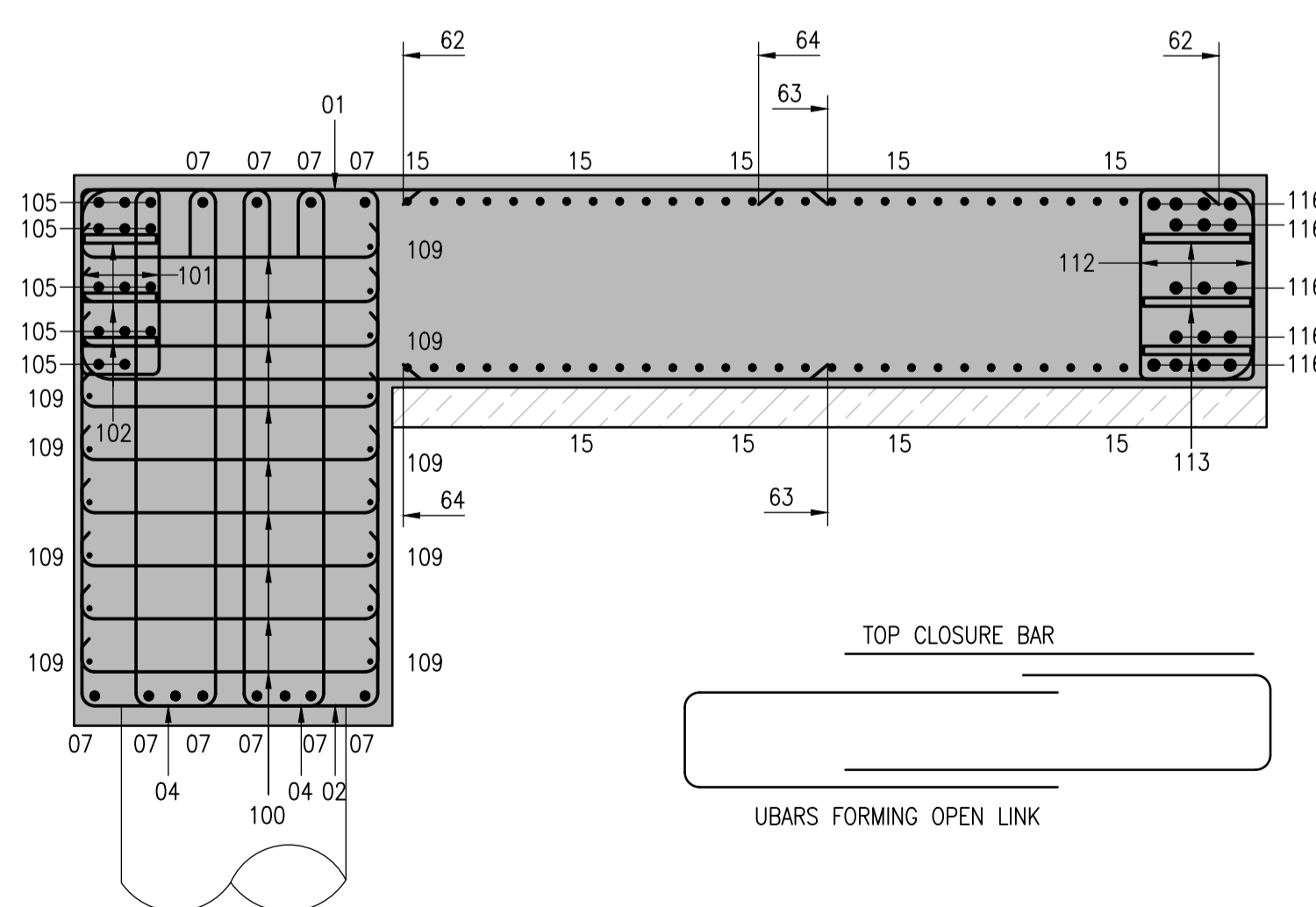


SECTION 1-1

SCALE 1:25

TYPICAL 'LINK' ARRANGEMENTS
FOR CAPPING BEAM

(DETAIL SIMILAR FOR ALL SECTIONS 1-1 TO 14-14)
NOT TO SCALE

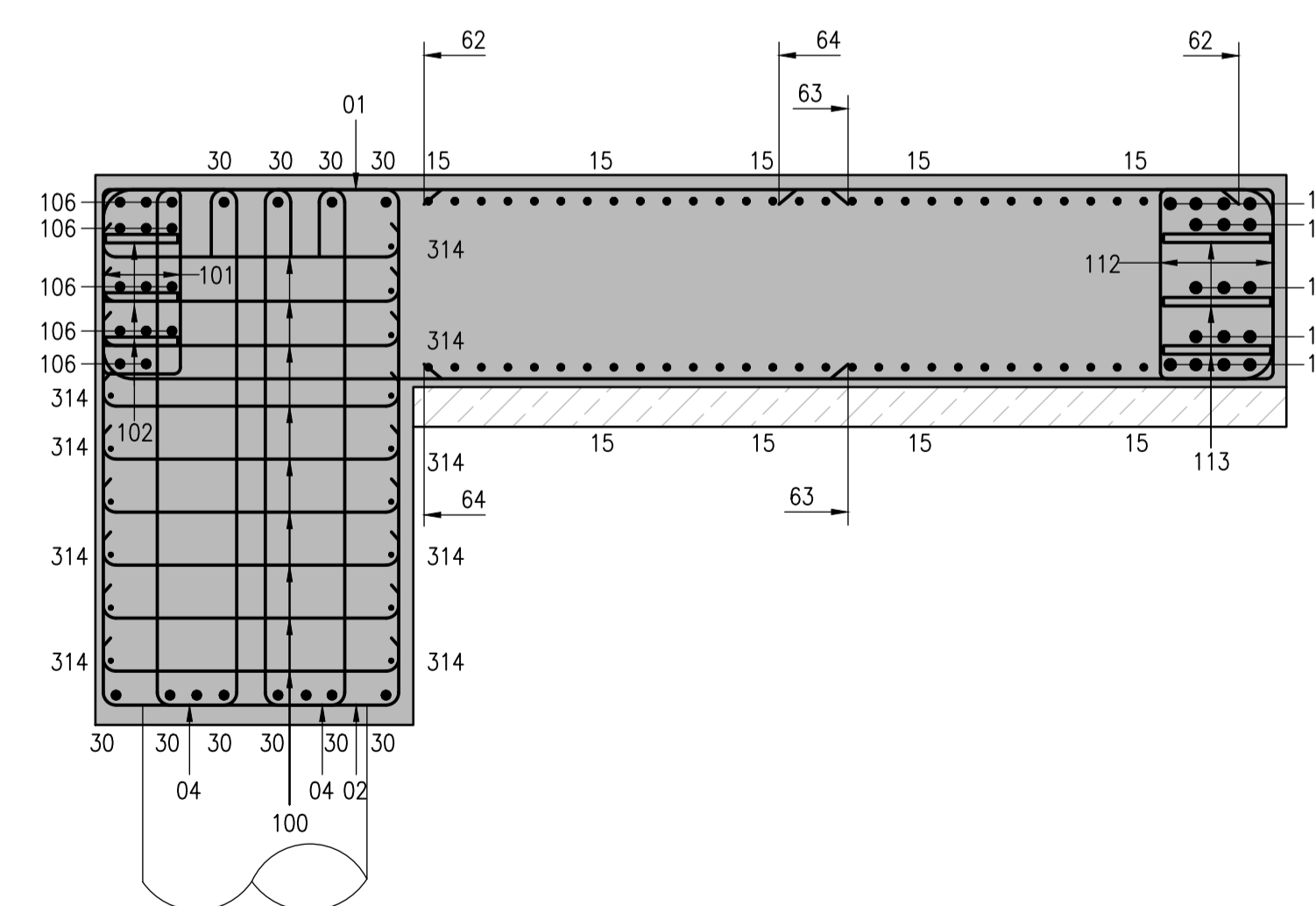


SECTION 2-2

SCALE 1:25

TYPICAL 'LINK' ARRANGEMENTS
FOR SLAB

(DETAIL SIMILAR FOR ALL SECTIONS 1-1 TO 11-11)
EXCEPT WHERE SHOWN OTHERWISE
NOT TO SCALE



SECTION 3-3

SCALE 1:25



TONY DOYLE ASSOCIATES LTD
COMPUTER AIDED DESIGN & DRAWING

SAMPLE DRAWING

PLEASE CONTACT US FOR FURTHER EXAMPLES