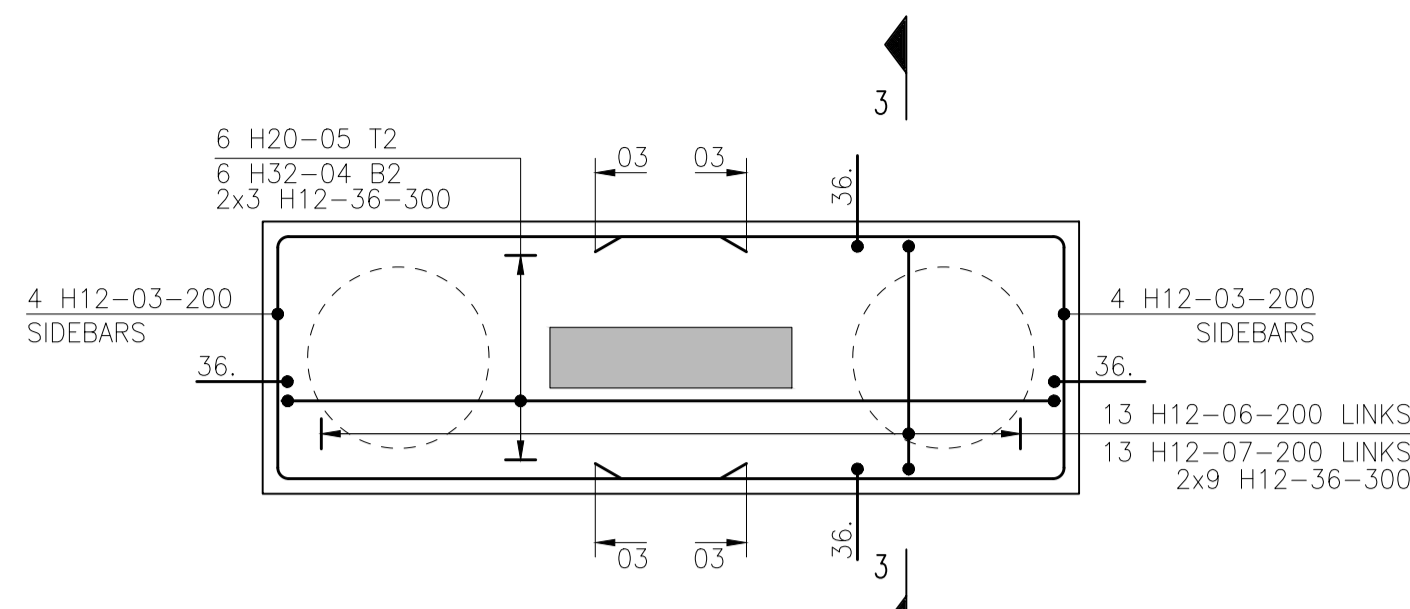


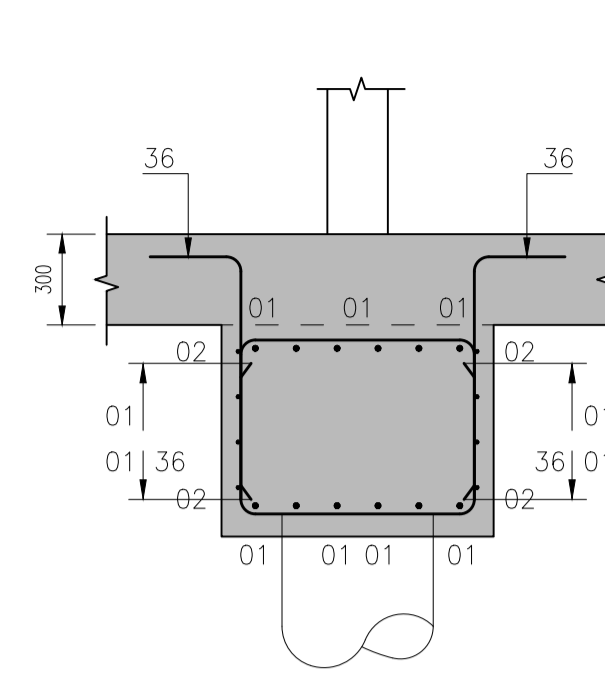
**TYPE PC1\* (21 No. THUS)**

SCALE 1:25 (1000 DEEP)



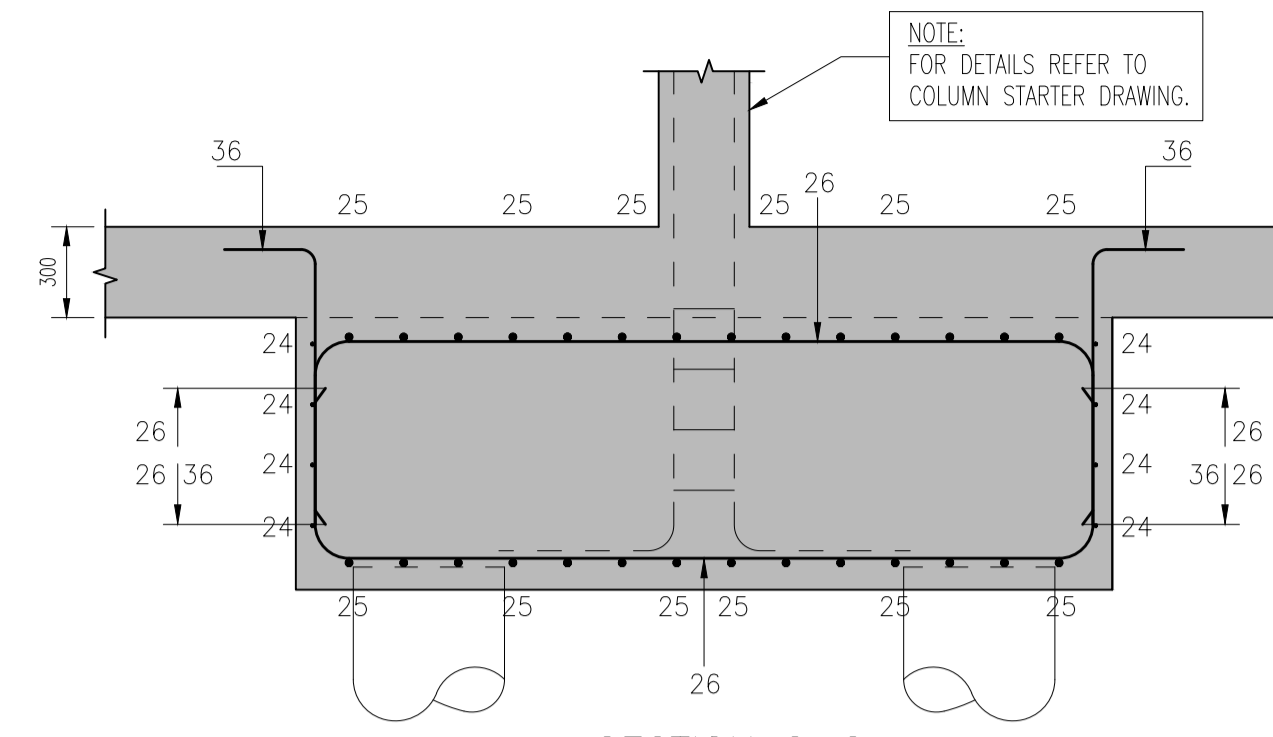
**TYPE PC2\* (15 No. THUS)**

SCALE 1:25 (1200 DEEP)



**SECTION 1~1**

SCALE 1:25



**SECTION 2~2**

SCALE 1:25

NOTE:  
FOR DETAILS REFER TO  
COLUMN STARTER DRAWING.

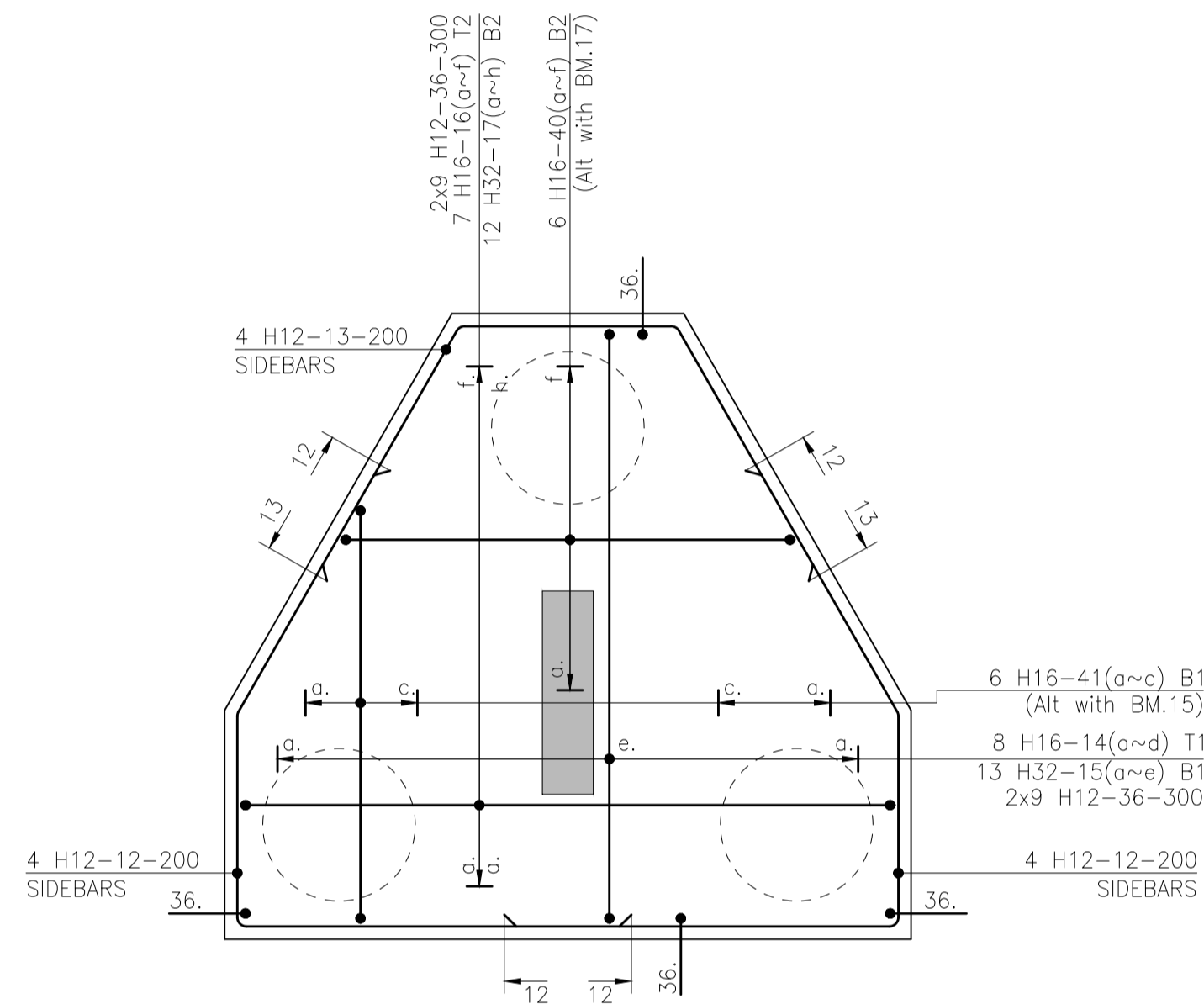
NOTE:  
PILECAPS MARKED \* TOP OF PILECAP  
TO BE BELOW 300THK SLAB SOFFIT.  
PILECAPS MARKED \*\* TOP OF PILECAP  
TO BE BELOW 450THK SLAB SOFFIT.

NOTE:  
FOR KEYPLAN REFER TO  
DRG No. 47062002-8009.

NOTE:  
WHERE PILECAP ONLY PARTIALLY  
COVERED BY RC SLAB, THE  
REMAINING TOP OF THE PILECAP IS  
TO BE INFILLED WITH SITE STOCK IF  
REQUIRED.

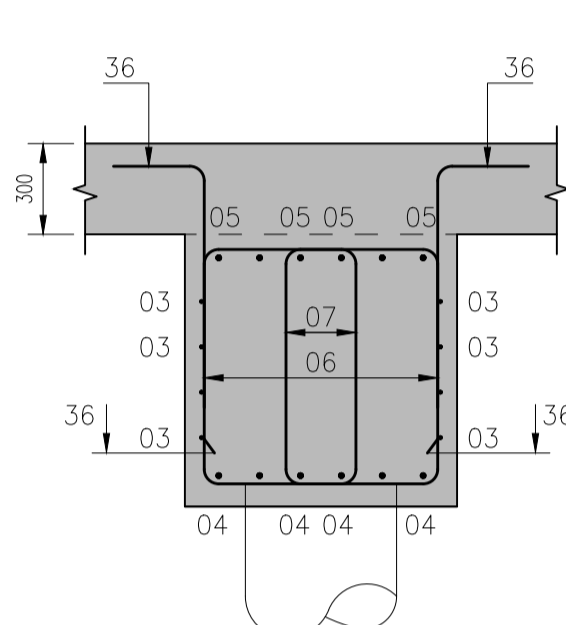
- This drawing shall be read in conjunction with all relevant drawings.
- Concrete Grade to be RC40.
- For bar bending schedules refer to schedules no. 4706200-BBS/8007/01-03.
- Minimum cover to all reinforcement to be as follows:  
Pilecaps  
75mm Bottom & Top, 50mm Sides U.N.O.

- All concrete work to be in accordance with BS8110 and all relevant standards  
T1 = First top layer of reinforcement  
T2 = Second top layer of reinforcement  
B1 = First bottom layer of reinforcement  
B2 = Second bottom layer of reinforcement  
N1 = First near face layer  
N2 = Second near face layer  
F1 = First far face layer  
F2 = Second far face layer  
BF = Both faces  
EF = Each face  
LL = long leg  
ABR = Alternate bars reversed  
ALT = Alternately place bars
- Minimum Laps to be:  
H10 = 400 mm      H12 = 500 mm  
H16 = 650 mm      H20 = 800 mm  
H25 = 1000 mm      H32 = 1300 mm



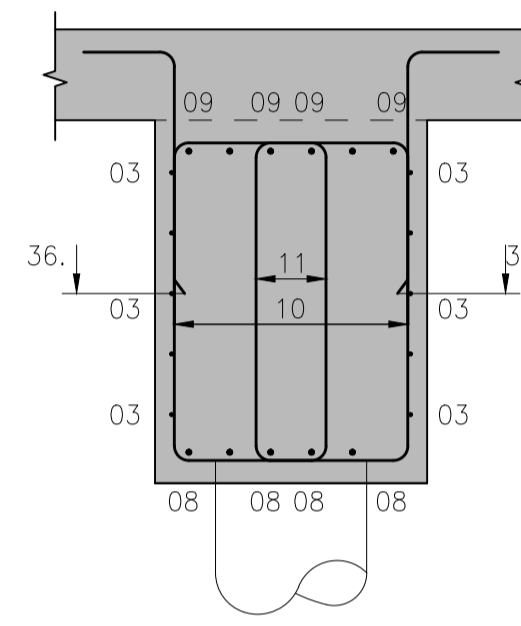
**TYPE PC3\* (14 No. THUS)**

SCALE 1:25 (1200 DEEP)



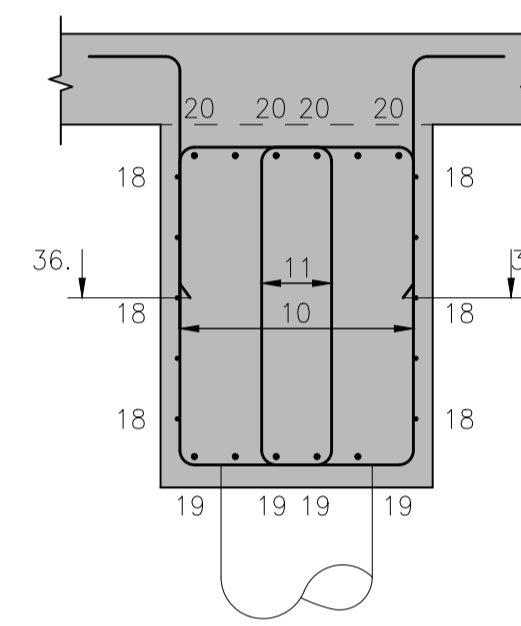
**SECTION 3~3**

SCALE 1:25



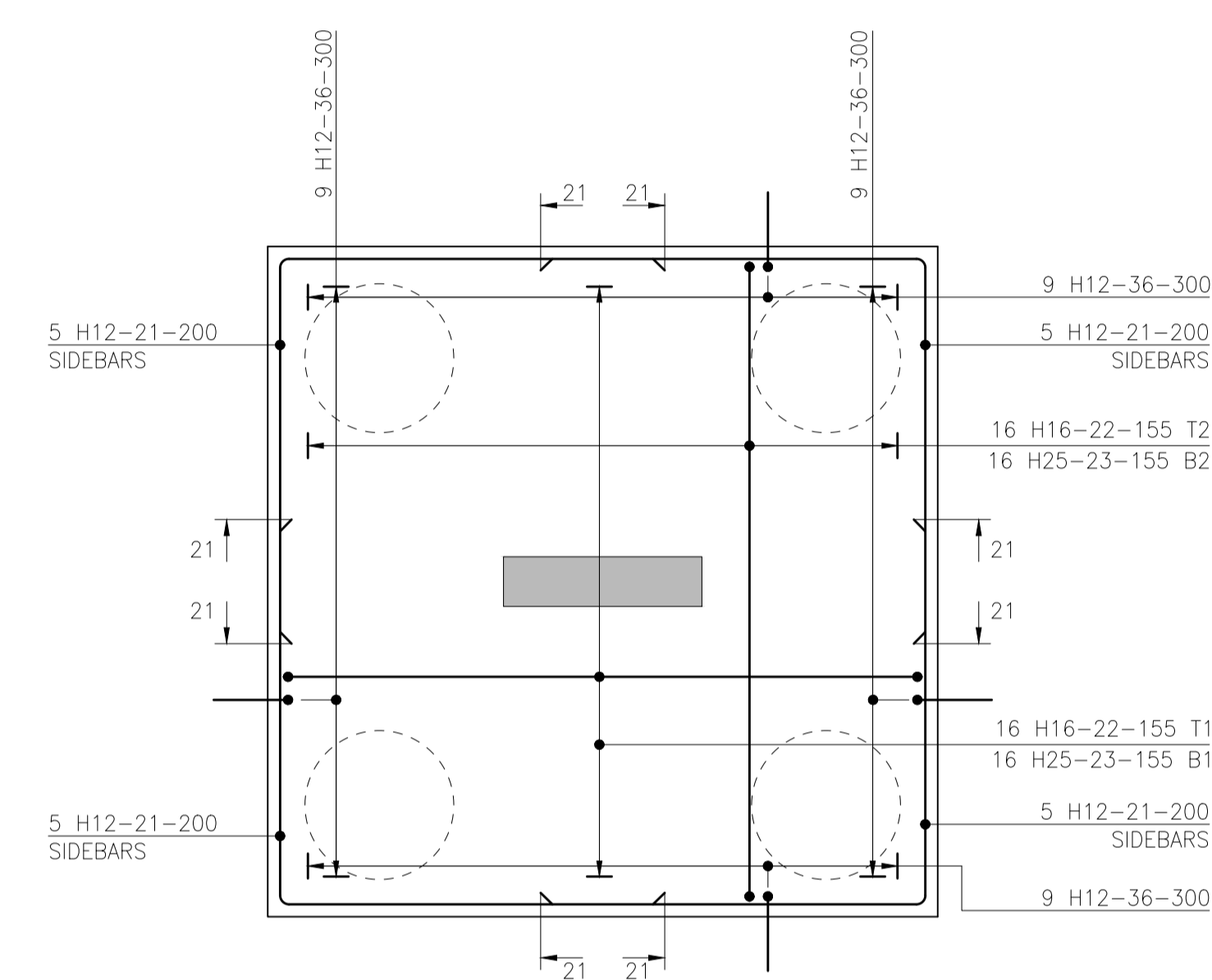
**SECTION 4~4**

SCALE 1:25



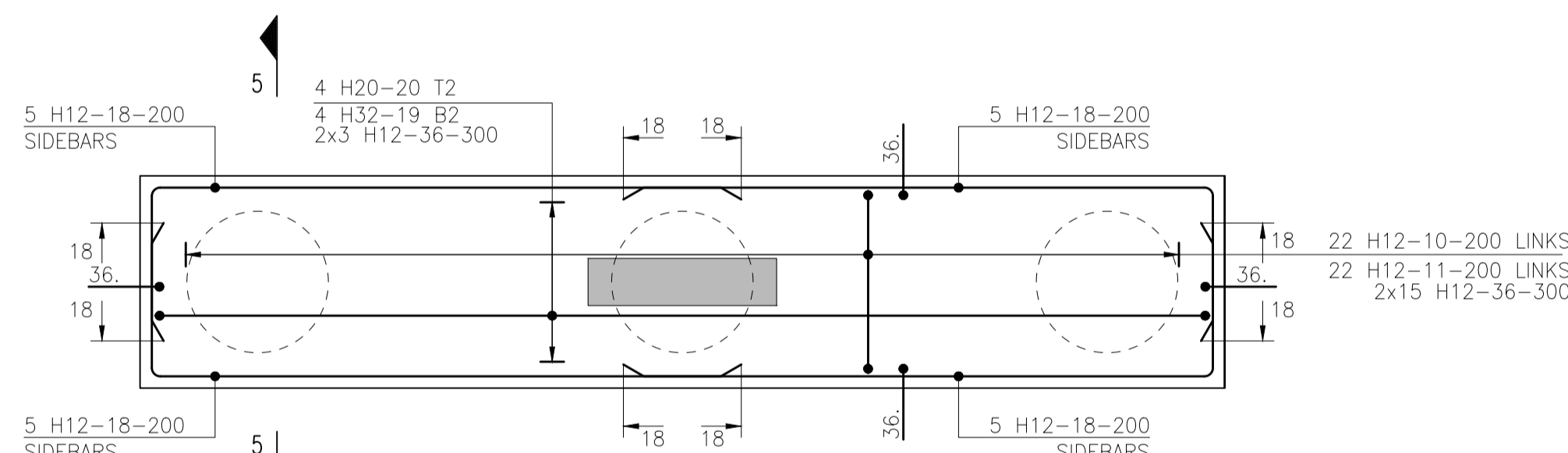
**SECTION 5~5**

SCALE 1:25



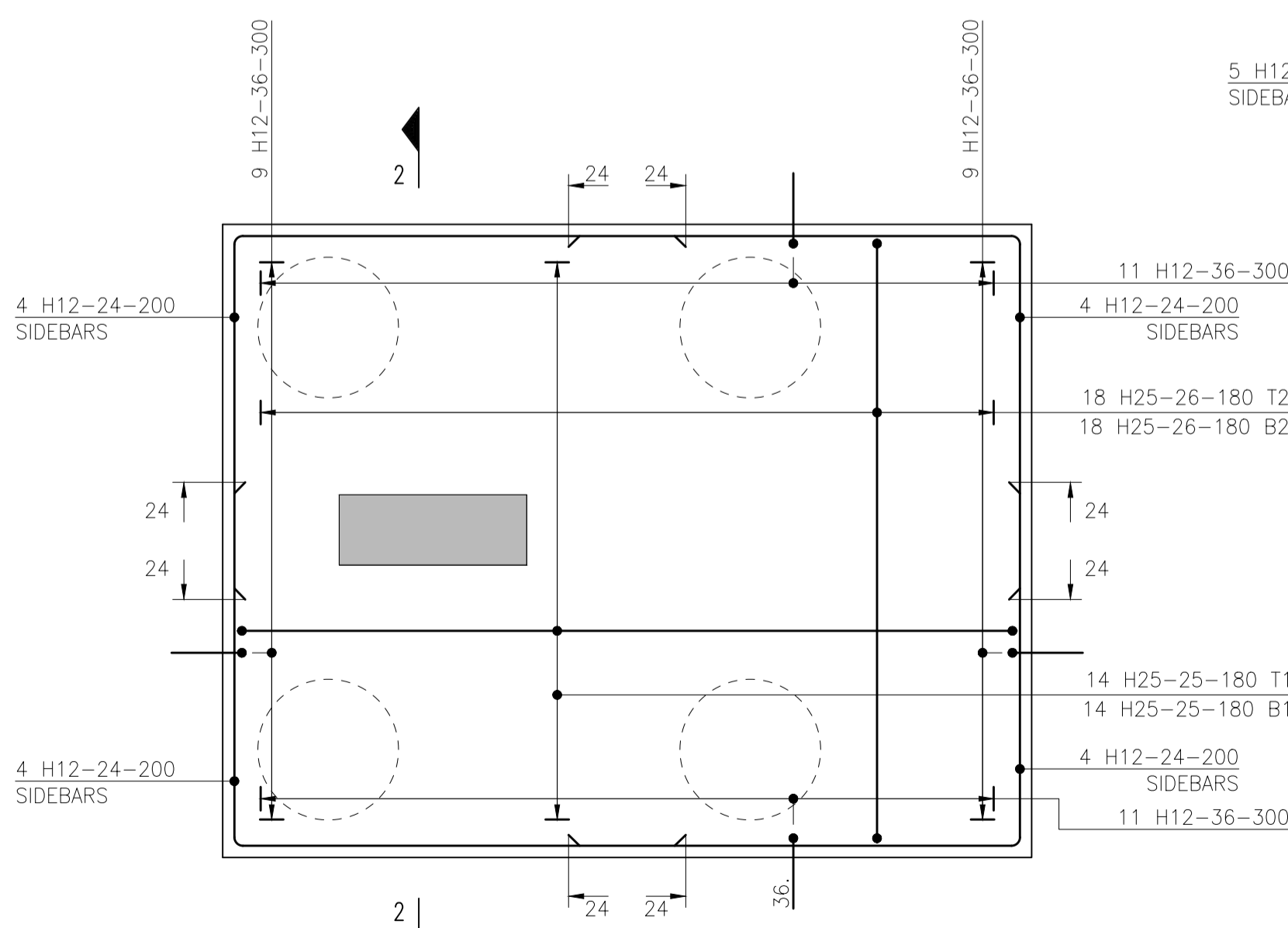
**TYPE PC4\* (8 No. THUS)**

SCALE 1:25 (1500 DEEP)



**TYPE PC3A\* (3 No. THUS)**

SCALE 1:25 (1500 DEEP)

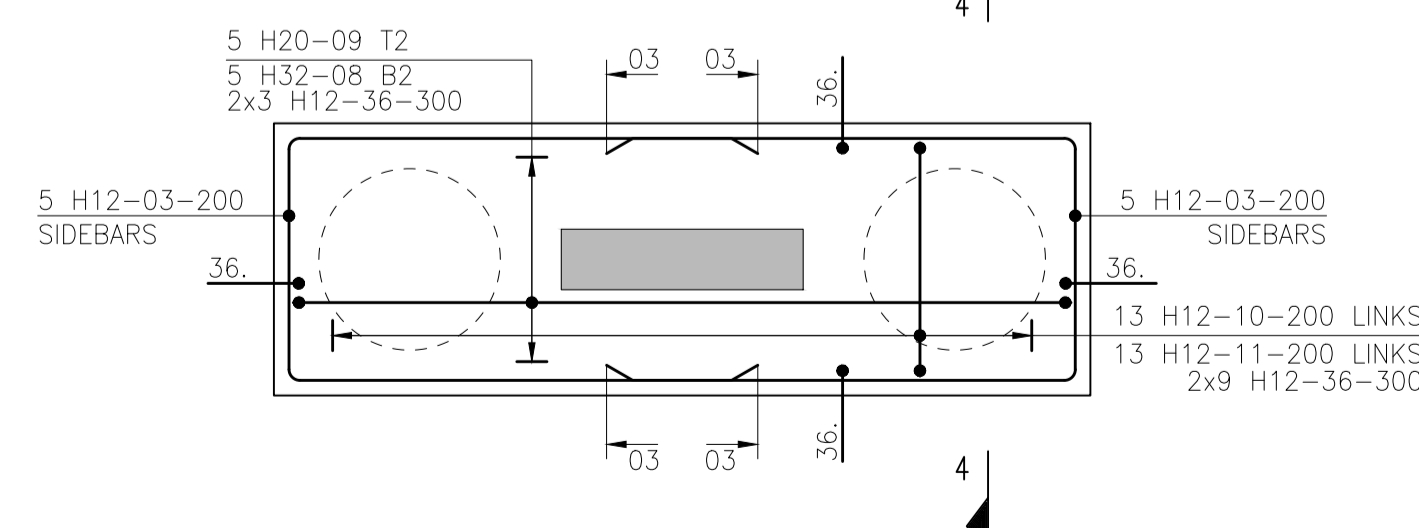


**TYPE PC4B\* & PC4F\***

(2 No. THUS)

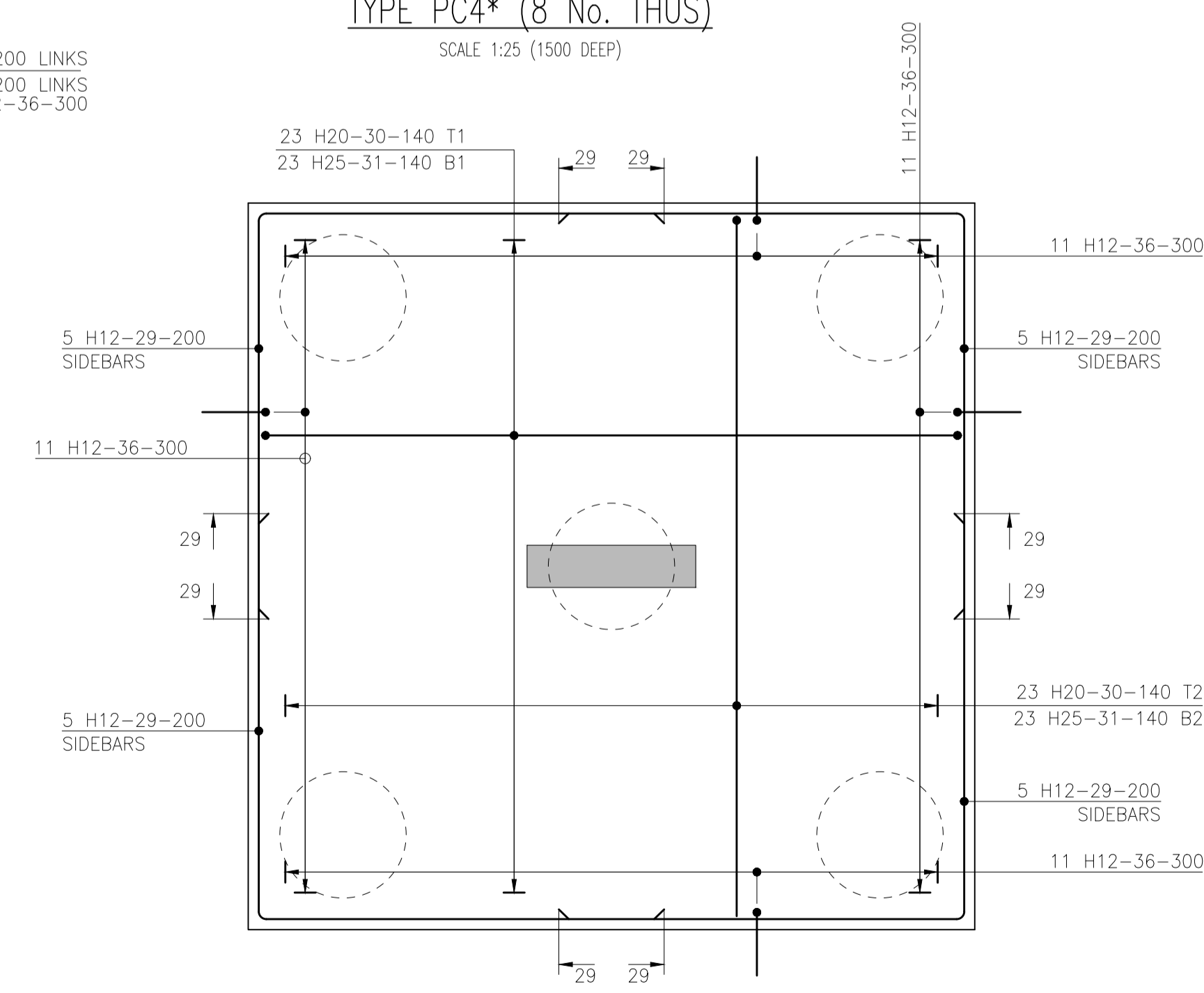
SCALE 1:25 (1200 DEEP)

NOTE:  
DESIGN INTENT FOR PILECAPS PC4B\*  
& PC4F\* IS THE SAME.



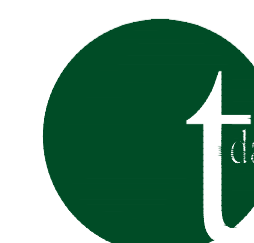
**TYPE PC2A\* (1 No. THUS)**

SCALE 1:25 (1500 DEEP)



**TYPE PC5\* (1 No. THUS)**

SCALE 1:25 (1500 DEEP)



**TONY DOYLE ASSOCIATES LTD**  
COMPUTER AIDED DESIGN & DRAWING

**SAMPLE DRAWING**

PLEASE CONTACT US FOR FURTHER EXAMPLES