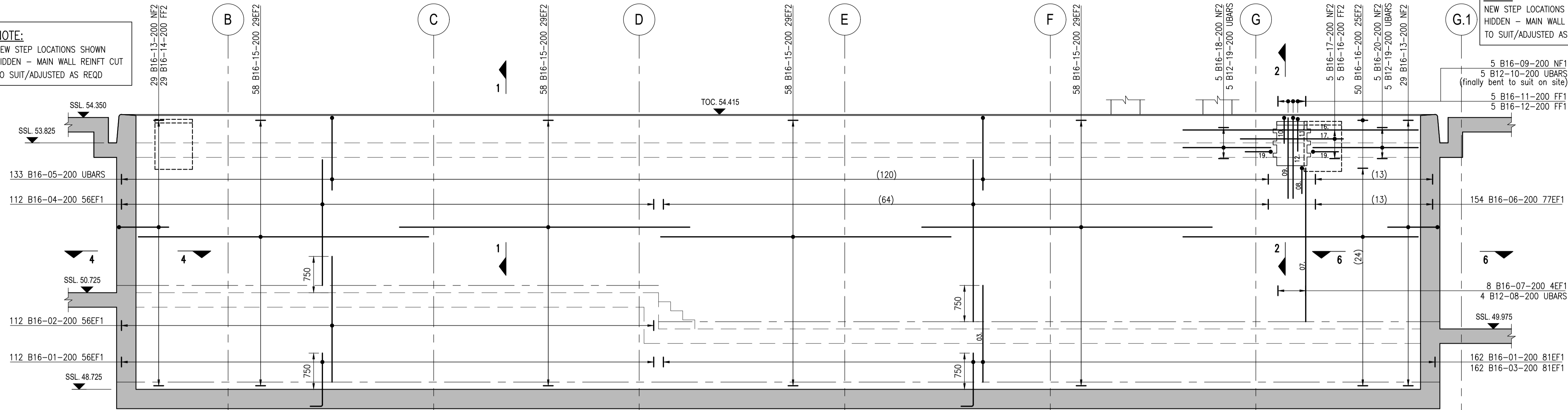
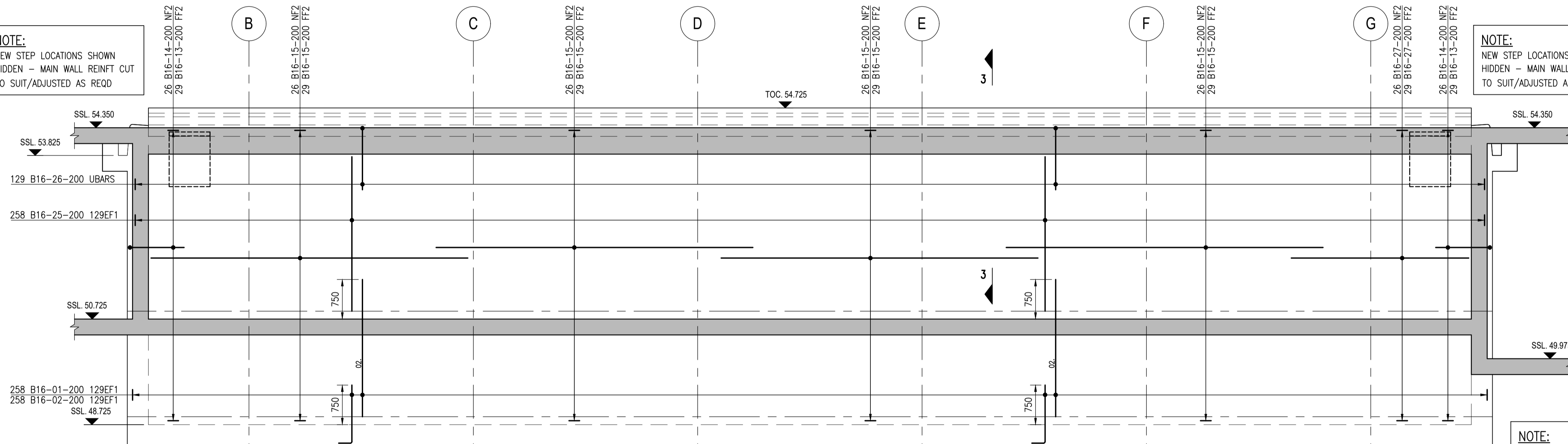


NOTE:
NEW STEP LOCATIONS SHOWN
HIDDEN - MAIN WALL REINFT CUT
TO SUIT/ADJUSTED AS REQD



ELEVATION ON WALL A
(SCALE 1:50)

NOTE:
NEW STEP LOCATIONS SHOWN
HIDDEN - MAIN WALL REINFT CUT
TO SUIT/ADJUSTED AS REQD



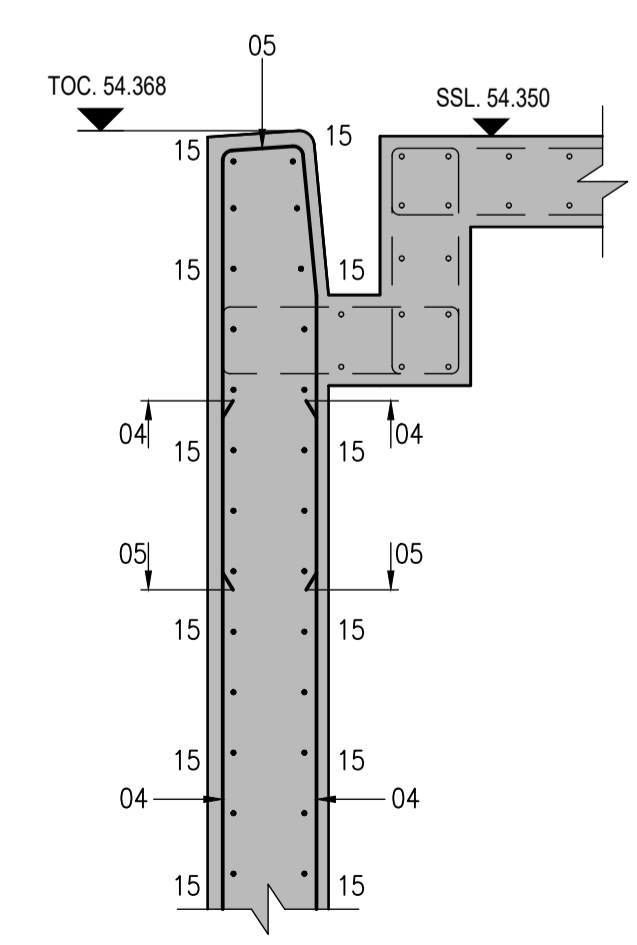
ELEVATION ON WALL B
(SCALE 1:50)

NOTE:
NEW STEP LOCATIONS SHOWN
HIDDEN - MAIN WALL REINFT CUT
TO SUIT/ADJUSTED AS REQD

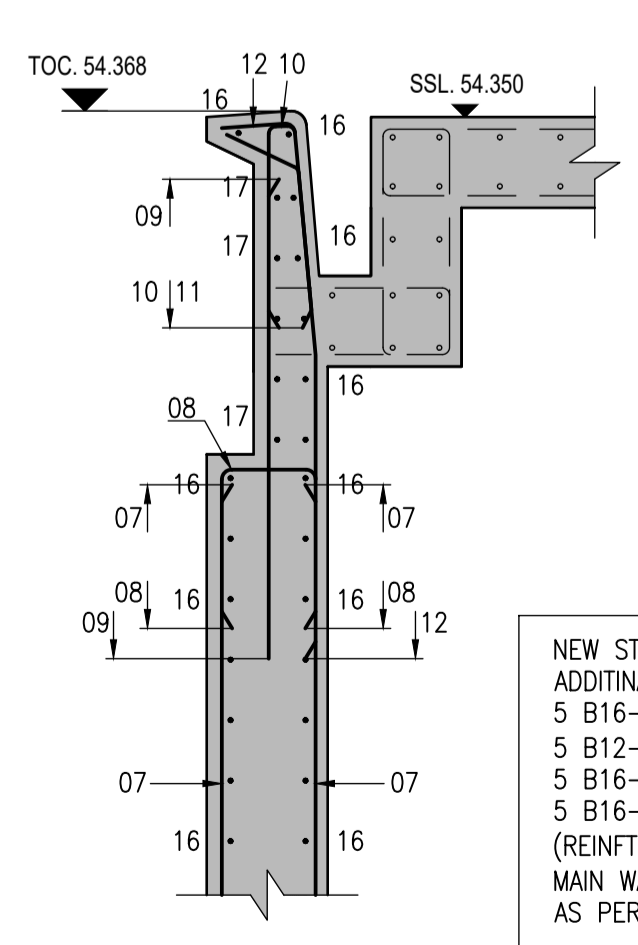
NOTE:
FOR SECTION 6-6 REFER TO
DRG. No. TDA136-52.

NOTE:
THIS DRAWING IS TO BE READ IN CONJUNCTION
WITH DRG. No's TDA136-52 & 53.

- This drawing shall be read in conjunction with all relevant drawings.
 - Concrete grade to be RC40.
 - for bar bending schedules refer to schedules nos. TDA/136/51/01.
 - Minimum cover to all reinforcement to be as follows:
 Dive Pool Walls - 40+10mm to tiled faces
 - 40mm to all other faces u.n.o
 - All concrete work to be in accordance with BS8110 and all relevant standards.
- T1 = Top first layer
 T2 = Top second layer
 B1 = Bottom first layer
 B2 = Bottom second layer
 SSL = Structural slab level
 T.O.C = Top of concrete
 LL = Long leg
 ABR = Alternate bars reversed
 ALT = Alternately placed bars
- Minimum reinforcement laps to be as follows:
(35 x bar dia)
- B8 - 300mm
 B10 - 350mm
 B12 - 425mm
 B16 - 575mm
 B20 - 700mm
 B25 - 875mm
 B32 - 1125mm

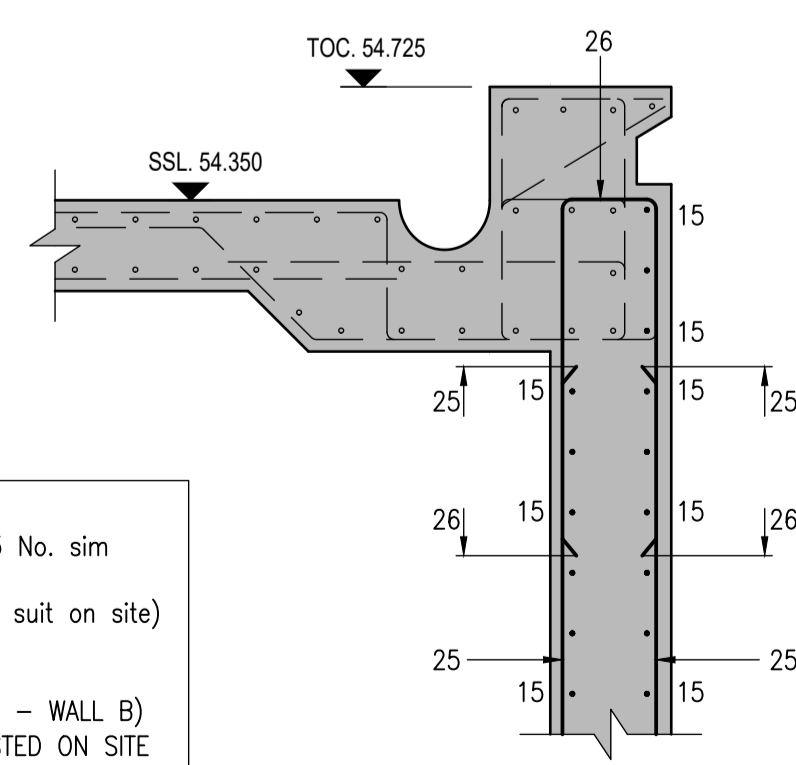


SECTION 1-1
(SCALE 1:25)

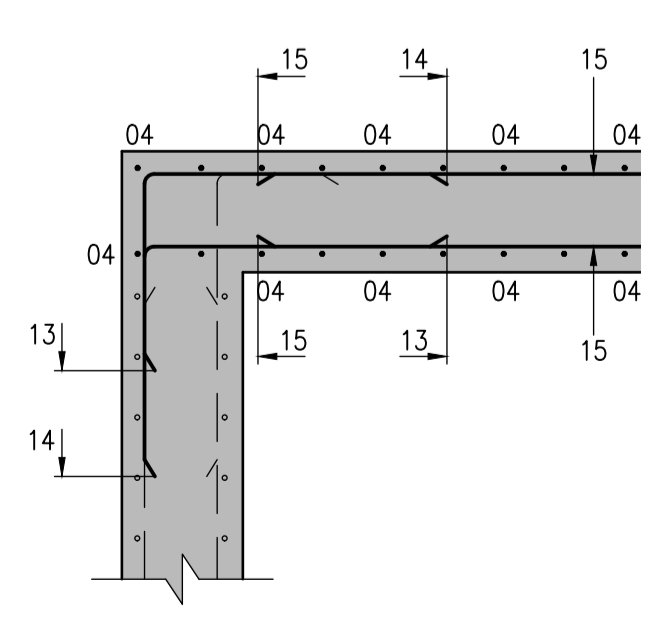


SECTION 2-2
(SCALE 1:25)

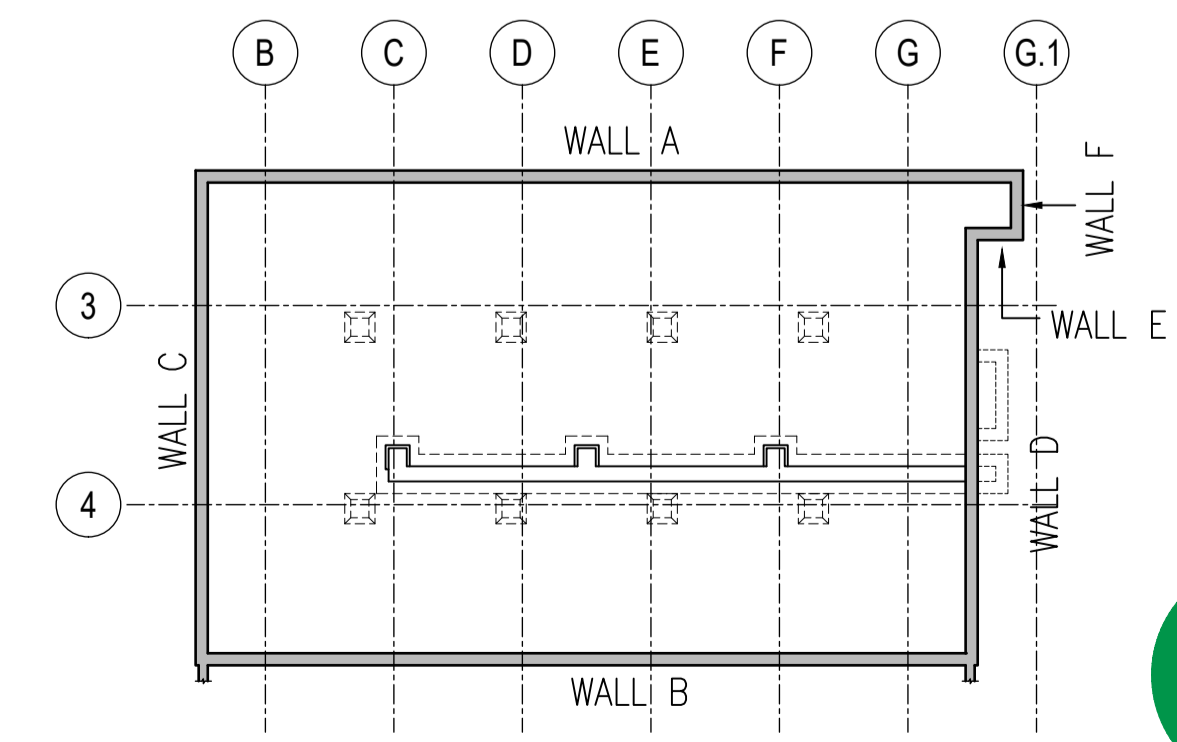
NEW STEP DETAIL:
ADDITIONAL REINFT FOR NEW STEPS - 3 No. sim
 5 B16-09-200 NF1
 5 B12-10-200 UBARS (finally bent to suit on site)
 5 B16-11-200 FF1
 5 B16-12-200 FF1
 (REINFT REVERSED FOR OPPOSITE WALL - WALL B)
 MAIN WALL REINFT CUT TO SUIT/ADJUSTED ON SITE
 AS PER BALFOUR BEATTY INSTRUCTIONS



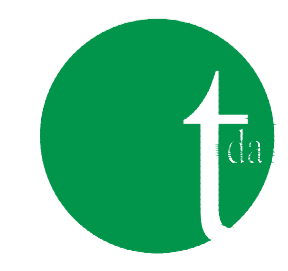
SECTION 3-3
(SCALE 1:25)



SECTION 4-4
(SCALE 1:25)



KEY PLAN
SCALE - 1:250



TONY DOYLE ASSOCIATES LTD
COMPUTER AIDED DESIGN & DRAWING

SAMPLE DRAWING

PLEASE CONTACT US FOR FURTHER EXAMPLES