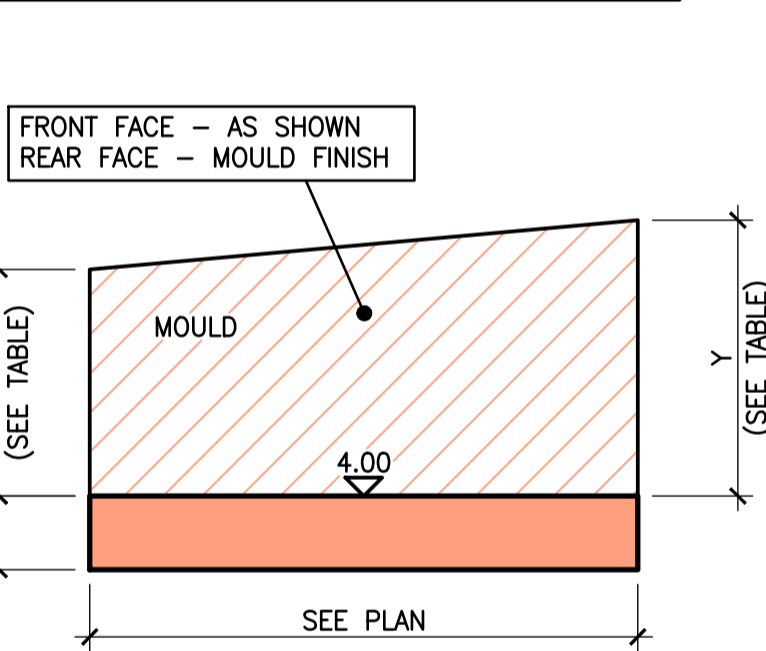
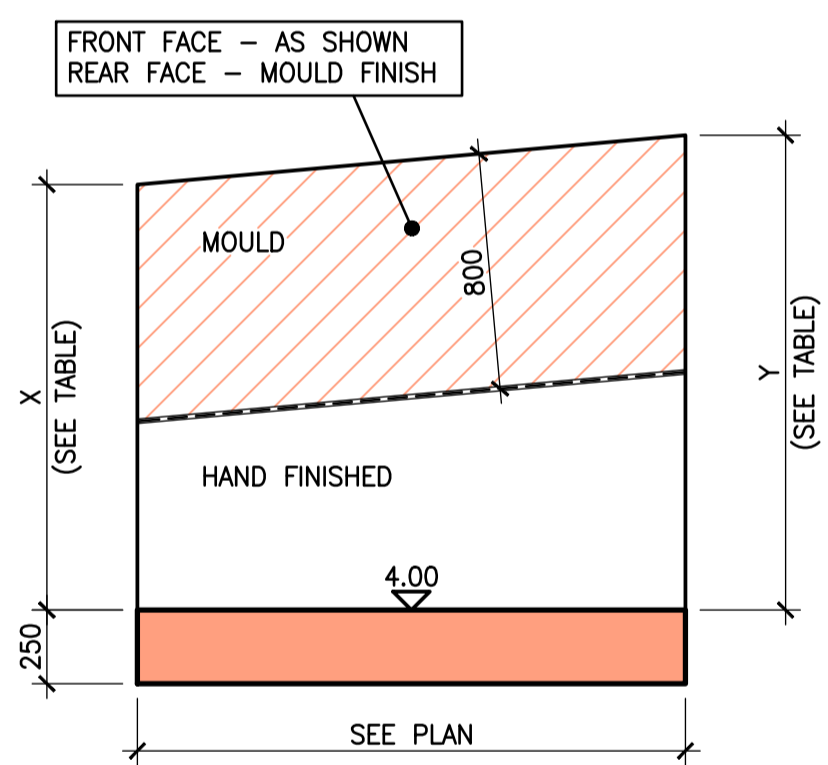


NOTE : INSITU TOE NOT SHOWN

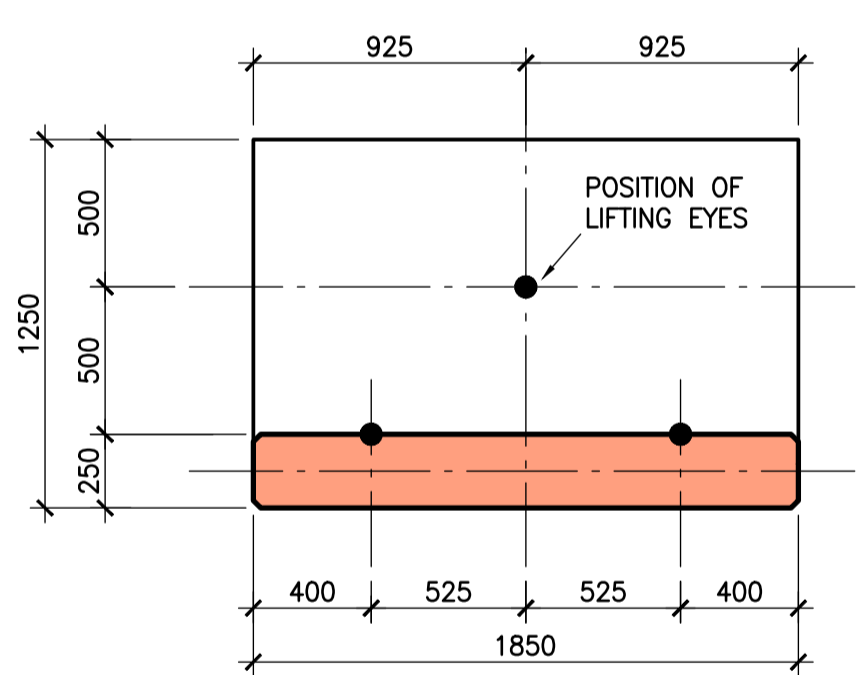
ALL PANELS 250mm THICKNESS



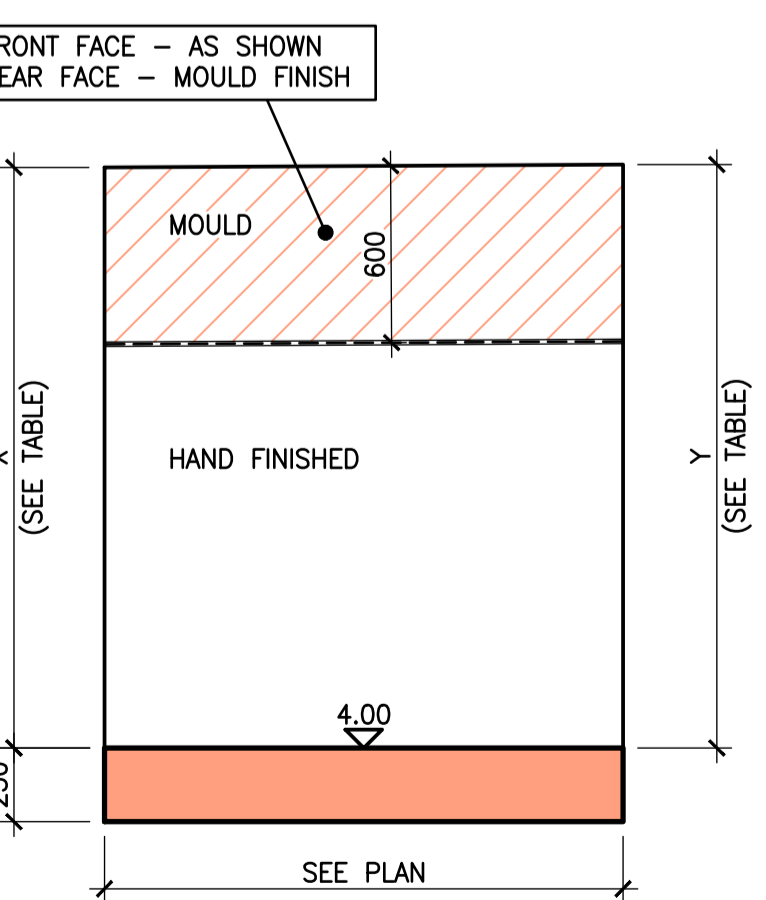
WALL A
PANELS 1 & 2 ELEVATION
SCALE 1:25



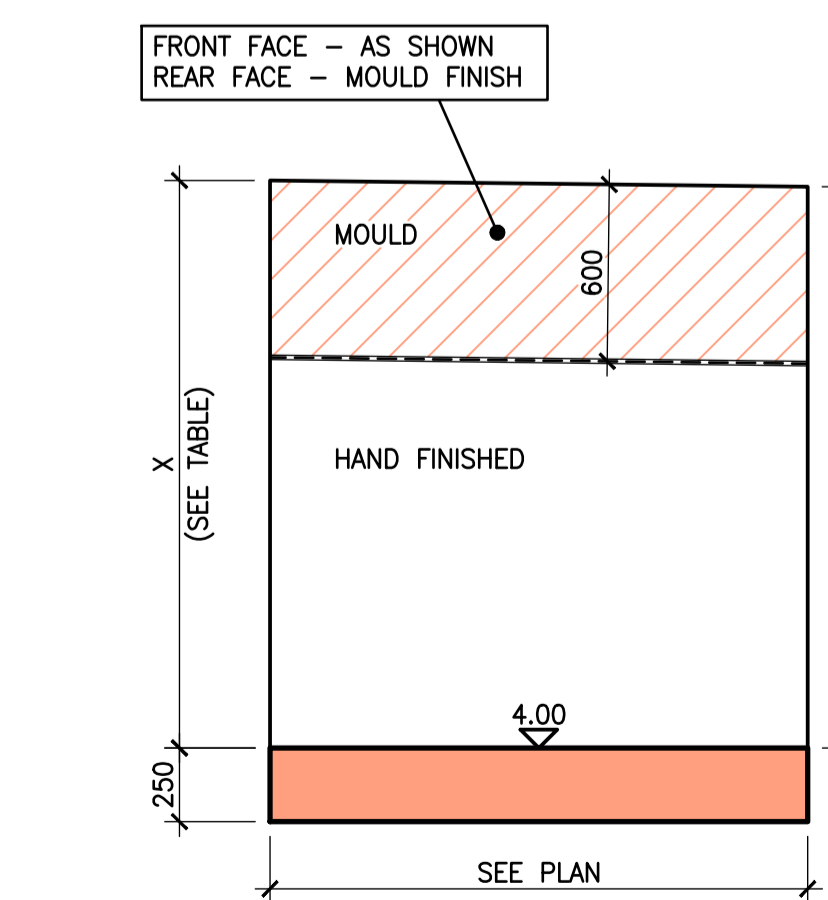
WALL A
PANELS 3~8 ELEVATION
SCALE 1:25



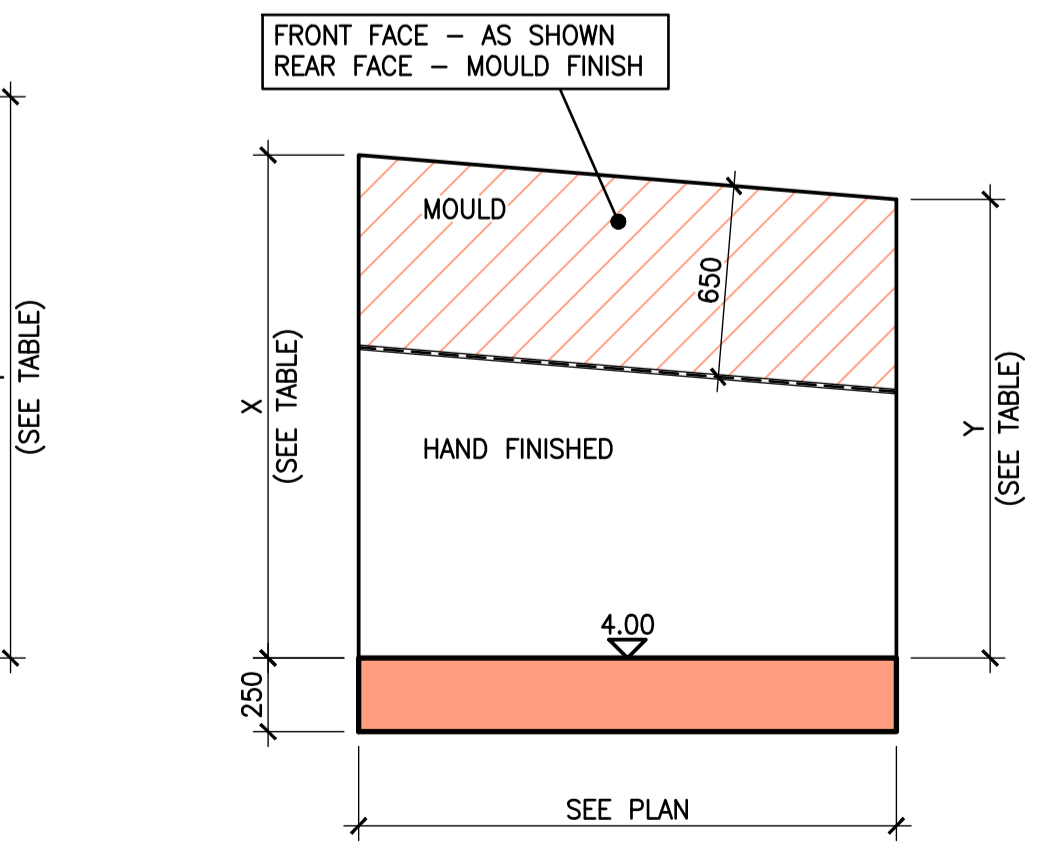
PLAN ON PANELS 26~28
(3 REQ'D)
SCALE 1:25



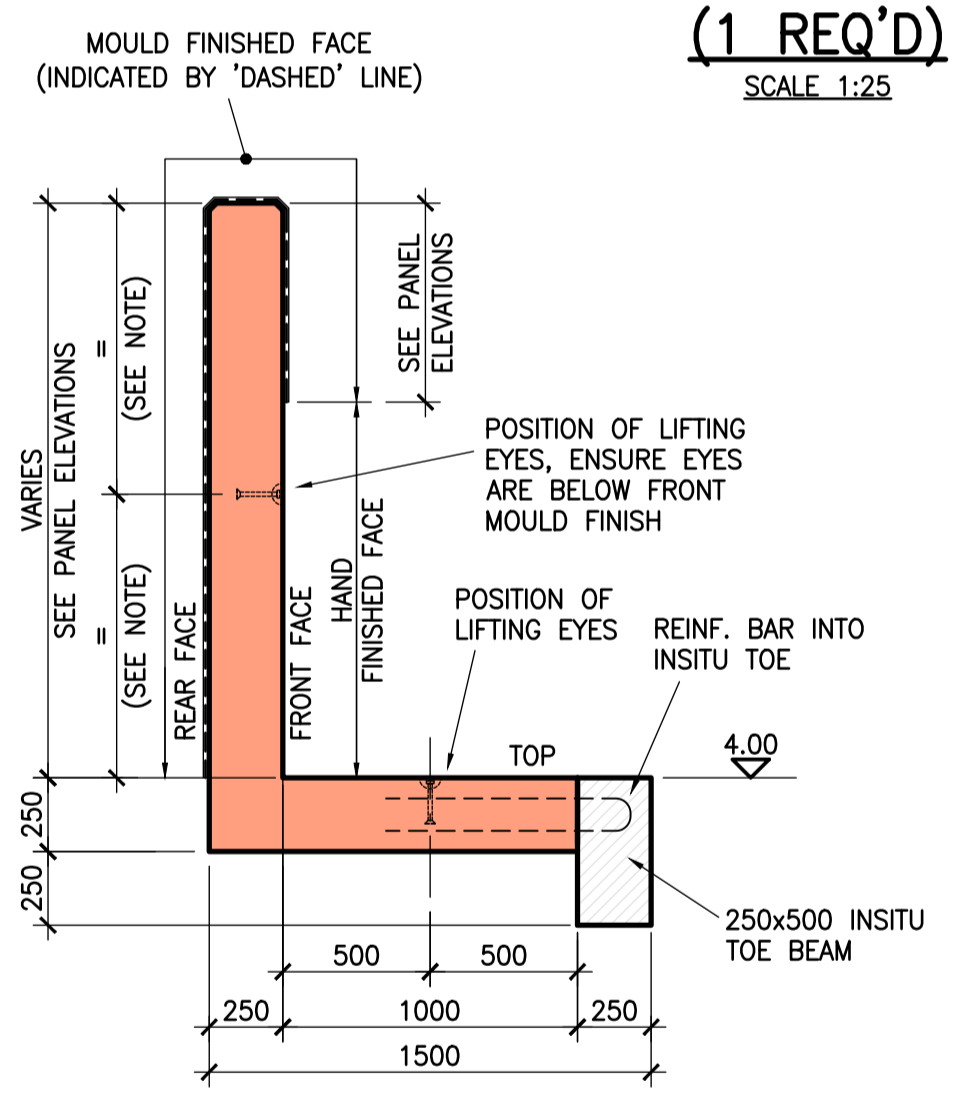
WALL A
PANELS 9~12 ELEVATION
SCALE 1:25



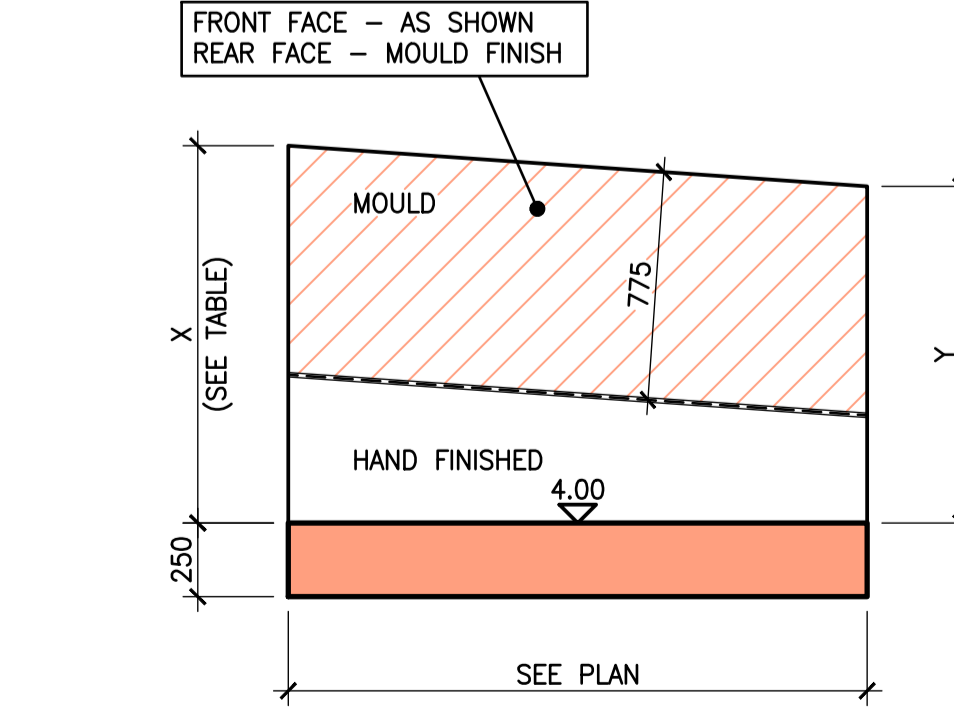
WALL A
PANELS 13~20 ELEVATION
SCALE 1:25



WALL B
PANELS 21~24 ELEVATION
SCALE 1:25



TYPICAL SECTION
(ALL PANELS)
SCALE 1:25



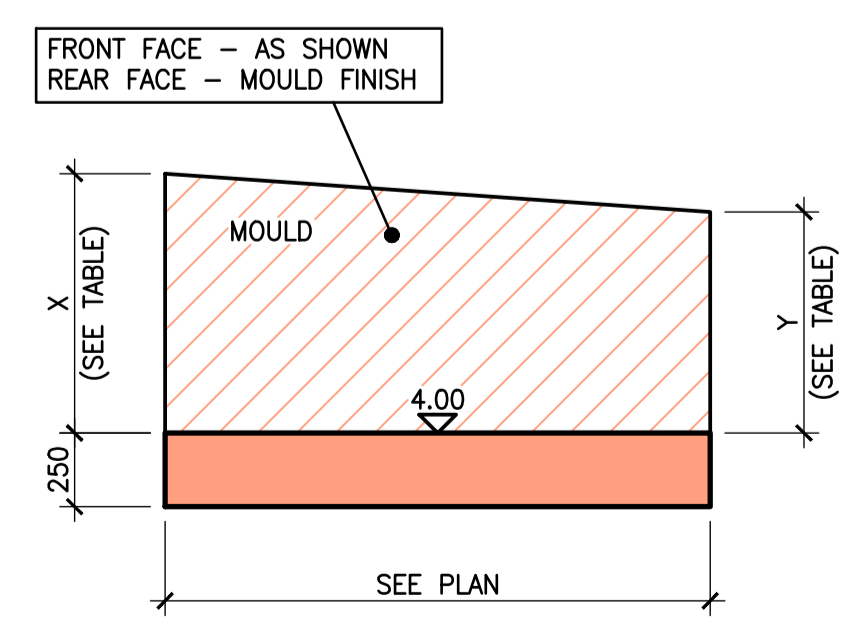
WALL C
PANELS 25~27 ELEVATION
SCALE 1:25

PANEL REF.	No. OFF	HEIGHT 'X'	HEIGHT 'Y'
PANEL 21	1	1820	1708
PANEL 22	1	1707	1556
PANEL 23	1	1555	1405
PANEL 24	1	1403	1290
PANEL 25	1	1280	1142
PANEL 26	1	1141	1012
PANEL 27	1	1011	861
PANEL 28	1	880	750

PANEL HEIGHTS
(WALLS B & C)
SCALE 1:25

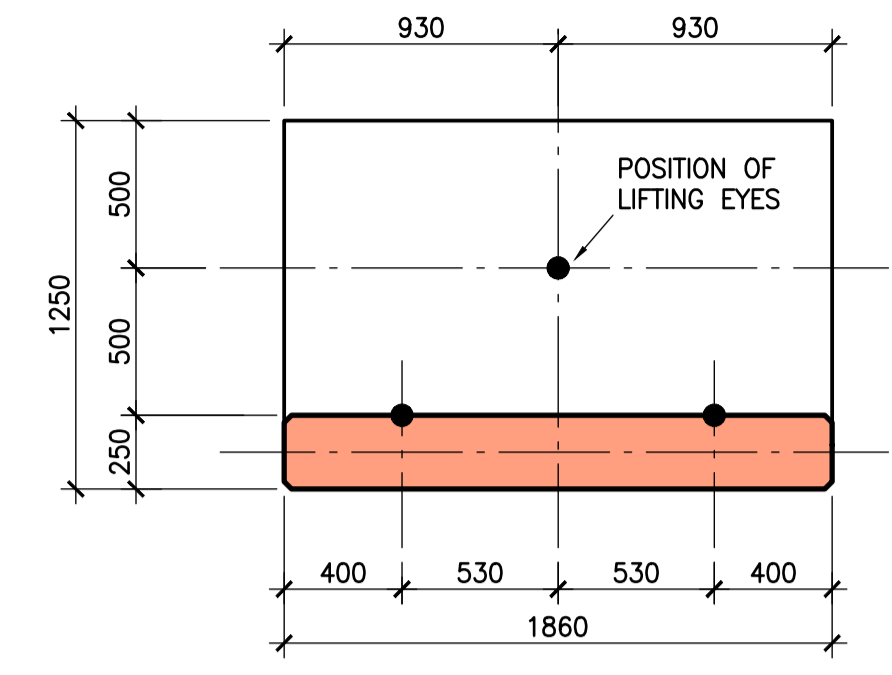
PANEL REF.	No. OFF	HEIGHT 'X'	HEIGHT 'Y'
PANEL 1	1	600	767
PANEL 2	1	769	936
PANEL 3	1	938	1105
PANEL 4	1	1106	1274
PANEL 5	1	1275	1442
PANEL 6	1	1444	1611
PANEL 7	1	1613	1780
PANEL 8	1	1781	1949
PANEL 9	1	1950	1960
PANEL 10	1	1960	1970
PANEL 11	1	1970	1980
PANEL 12	1	1980	1990
PANEL 13	1	1990	1969
PANEL 14	1	1969	1947
PANEL 15	1	1947	1926
PANEL 16	1	1926	1904
PANEL 17	1	1904	1883
PANEL 18	1	1883	1862
PANEL 19	1	1961	1840
PANEL 20	1	1840	1821

PANEL HEIGHTS
(WALL A)
SCALE 1:25

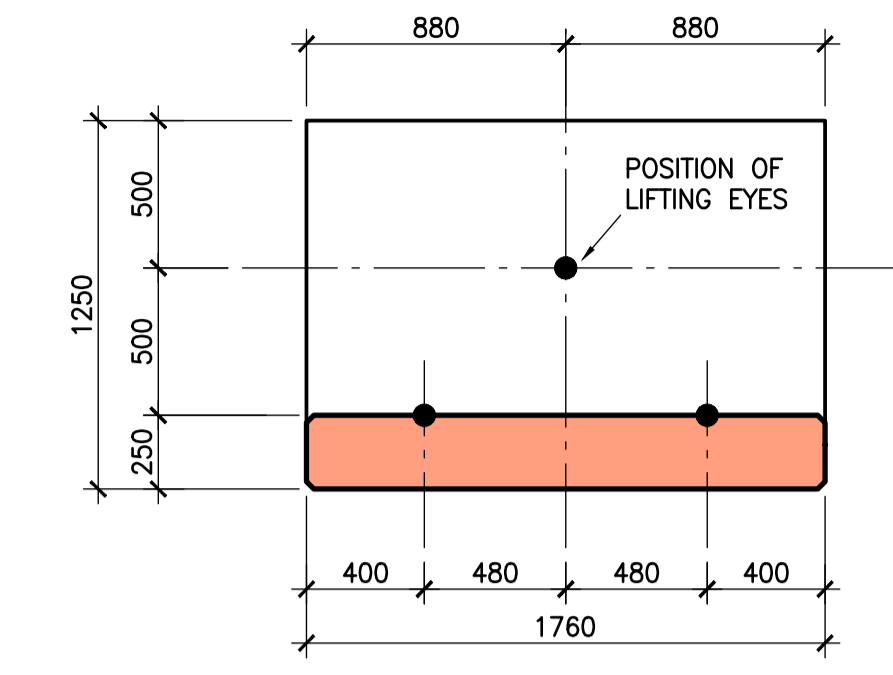


WALL C
PANEL 28 ELEVATION
SCALE 1:25

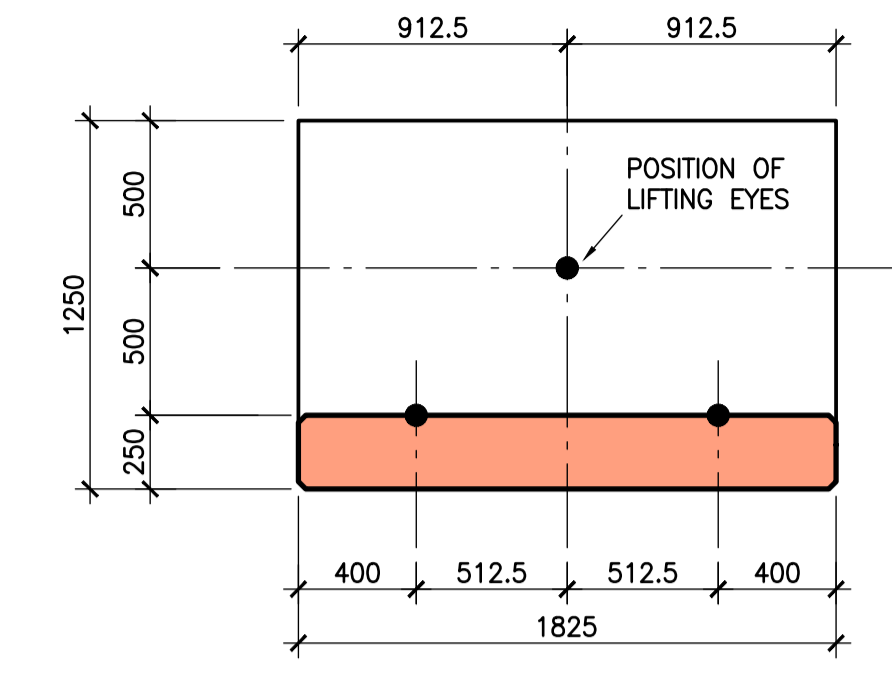
PLANS VIEWED FROM TOP OF PANELS, ELEVATIONS VIEWED LOOKING AT REAR FACE OF WALLS



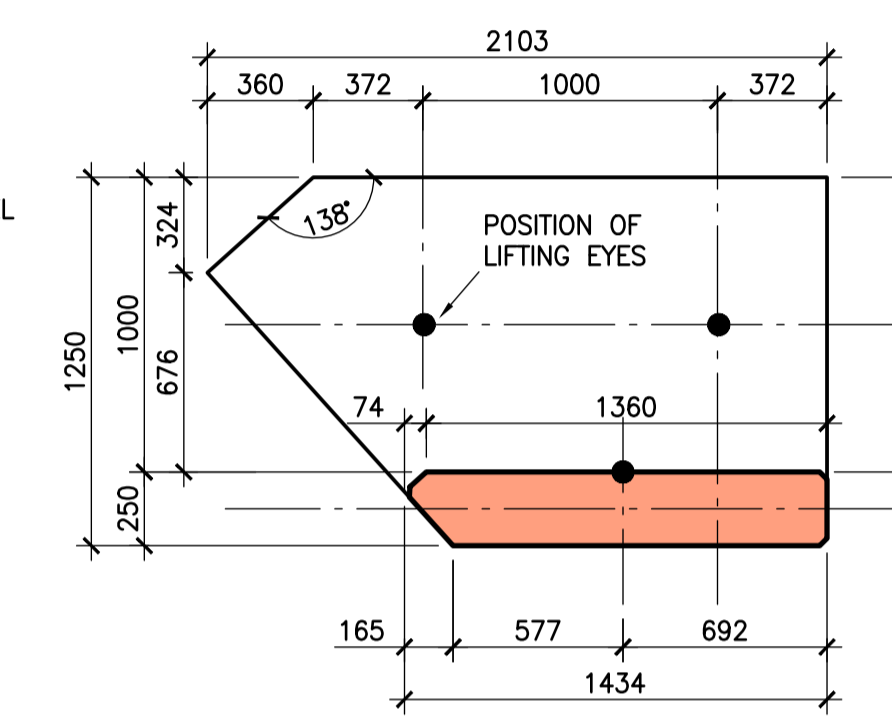
PLAN ON PANELS 1~8
(8 REQ'D)
SCALE 1:25



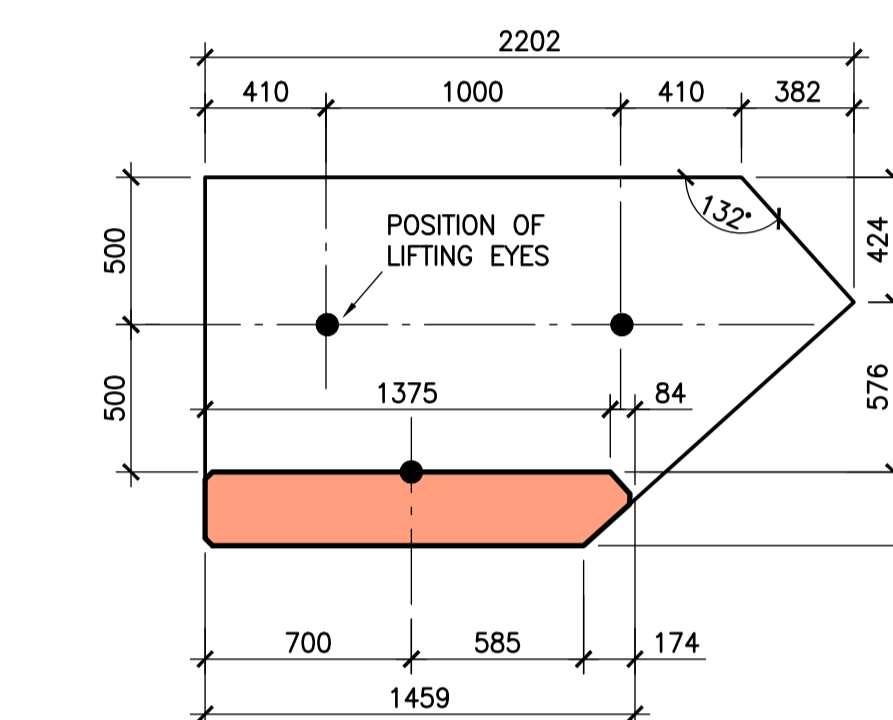
PLAN ON PANELS 9~12
(4 REQ'D)
SCALE 1:25



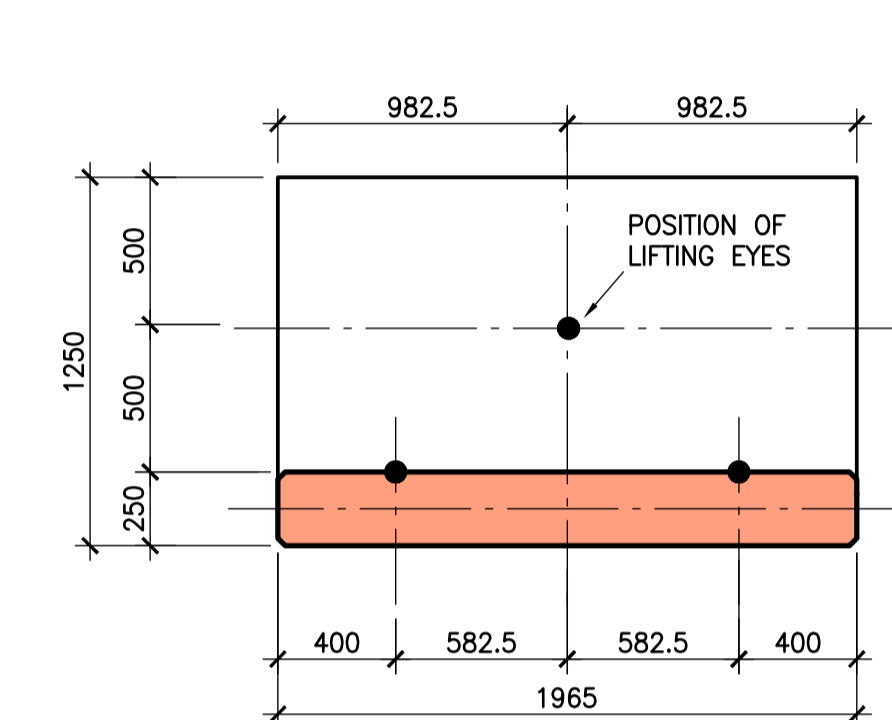
PLAN ON PANELS 13~19
& PANELS 22 & 23
(9 REQ'D)
SCALE 1:25



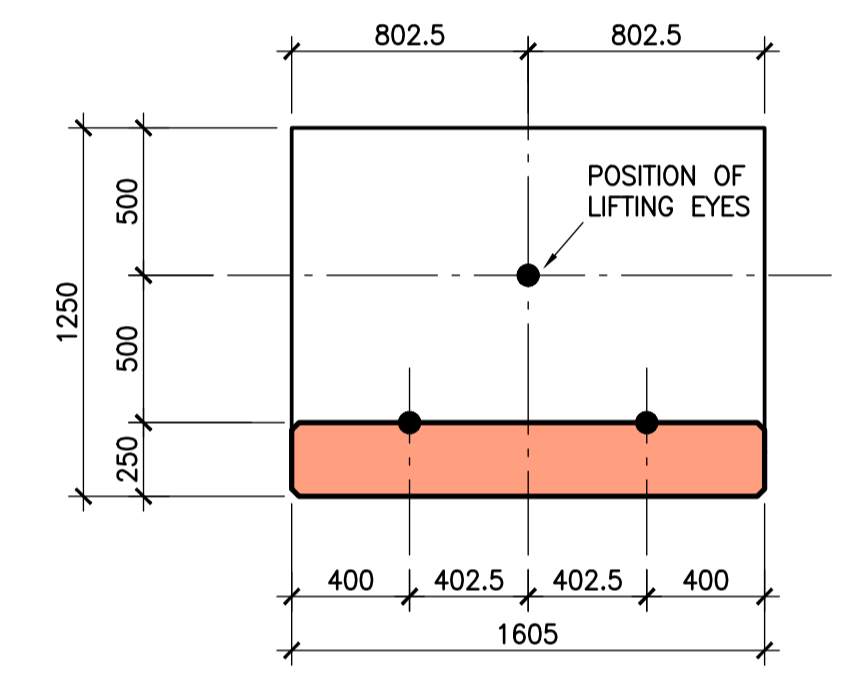
PLAN ON PANEL 21
(1 REQ'D)
SCALE 1:25



PLAN ON PANEL 24
(1 REQ'D)
SCALE 1:25



PLAN ON PANEL 25
(1 REQ'D)
SCALE 1:25



PLAN ON PANEL 20
(1 REQ'D)
SCALE 1:25

- GENERAL NOTES**
- This drawing is to be read in conjunction with all other relevant Architect's, Engineers & Specialist drawings, details and the relevant Health and Safety Plan (as appropriate).
 - DO NOT SCALE FROM THIS DRAWING. Use figured dimensions only.
 - All dimensions to be confirmed by the Architect prior to construction.
 - Finishes to the Architect's requirements.
 - For site setting out refer to the Architect's drawings.

- NOTES :-**
- CONCRETE TO BE GRADE RC50 WITH MAX 14MM AGGREGATE
 - MESH REINFORCEMENT TO BE CENTRALLY PLACED IN 85MM THICK PRECAST PANELS. COVER TO ENDS TO BE 25MM
 - ALL PANELS TO BE PROPPED AT 5TH POINTS UNTIL INSITU CORE HAS REACHED DESIGN STRENGTH
 - MAXIMUM CORE FILL RATE = 1.3M/HOUR
 - CORE TO BE FILLED WITH C32/40 SELF COMPACTING CONCRETE. MAXIMUM AGGREGATE SIZE = 14MM
 - ALL EDGES TO HAVE A 10x10 CHAMFER
 - PROVIDE 10MM SHIMS AND MORTAR BED TO UNDERSIDE OF WALLS
 - MAX WEIGHT OF EACH PANEL TO BE NO GREATER THAN 6.8 T
 - ALL FORMED FACES TO BE F2 FINISH. 25MM CHAMFERED EDGES TO ALL CORNERS
 - CONCRETE TO BE ECOCRETE NATURAL