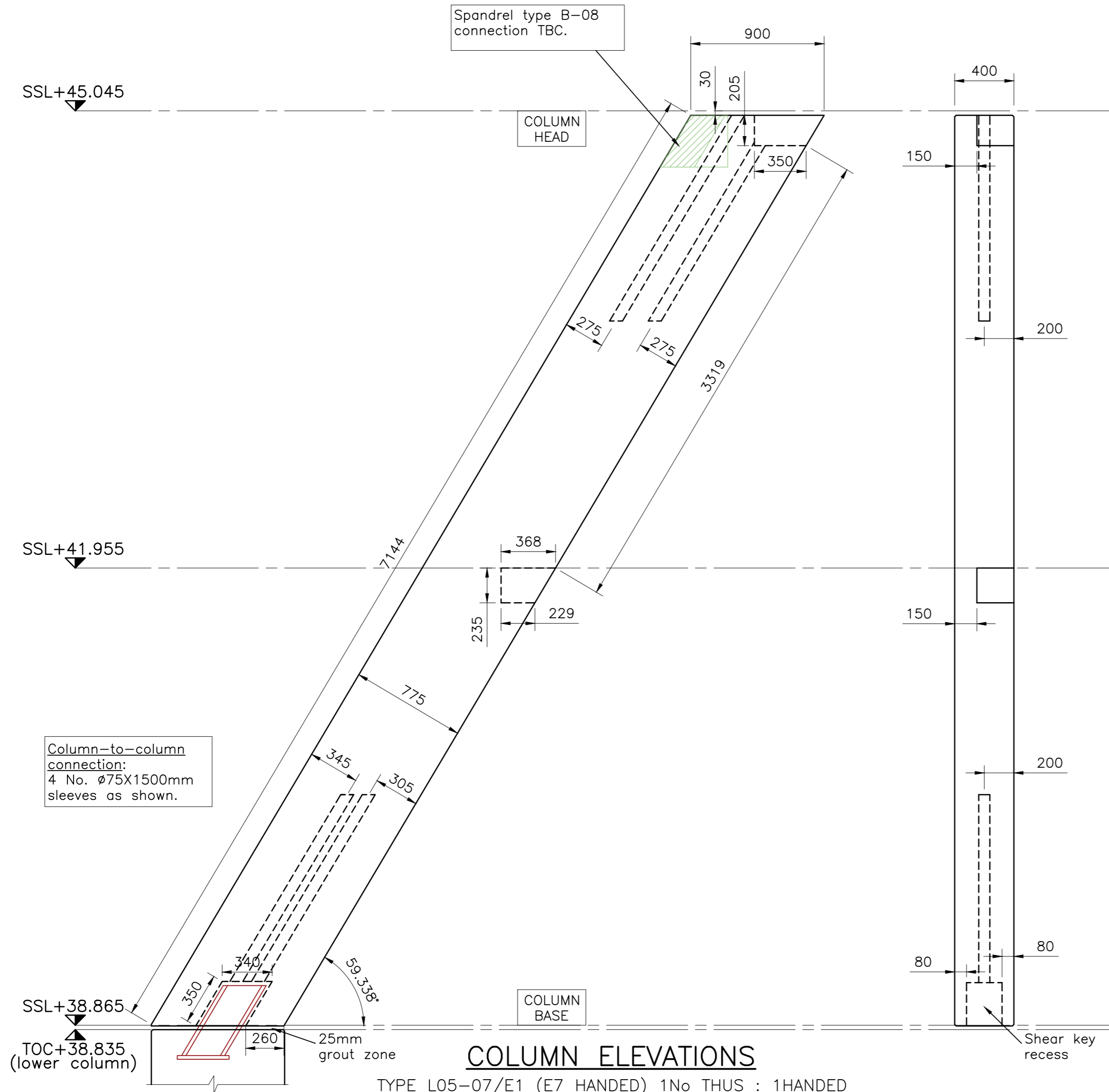


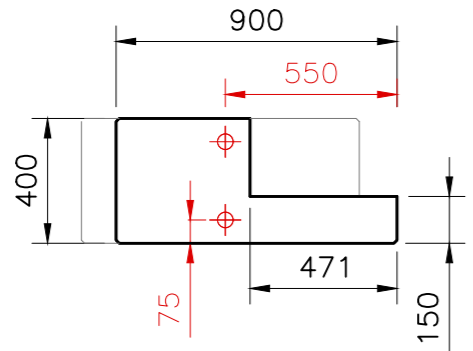
CONSTRUCTION



**COLUMN ELEVATIONS**

TYPE L05-07/E1 (E7 HANDED) 1No THUS : 1HANDED  
(SCALE 1:25)

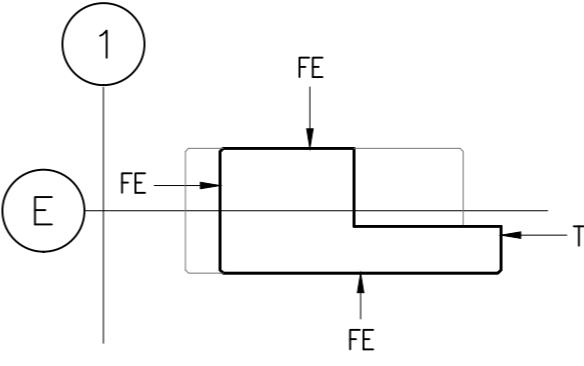
⊕ Denotes lifting anchor.  
2 anchors in each end of the unit.  
4 No. in total.



**PLAN VIEW**  
(SCALE 1:25)

10x10mm CHAMFER to all edges.

Concrete finishes



GL1 shown indicatively

**NOTES**

1. DO NOT SCALE OFF THIS DRAWING.
2. ALL DIMENSIONS IN MM.
3. THIS DRAWING IS TO READ IN CONJUNCTION WITH ALL OTHER RELEVANT DRAWINGS.
4. ALL MATERIALS AND WORKMANSHIP TO BE DONE IN ACCORDANCE WITH ALL RELEVANT BRITISH STANDARDS E.N. AND CODES OF PRACTICE.
5. THE CONTRACTOR IS RESPONSIBLE FOR SETTING OUT AND ACCURACY OF WORK ON-SITE.
6. COVER TO LINK TO BE 35 mm U.NO.
7. ALL FORMED FACES ACID ETCHED FINISH ALL UNFORMED FACES U3 FINISH. ALL TO APPROVED SAMPLE.
8. ALL LOOSE FIXINGS SUPPLIED BY OTHERS.
9. SHEARHEAD ELEMENT, S355 STEEL BILLET DESIGNED & PROVIDED BY OTHERS
10. KEY CONCRETE FINISHES:
  - FE: -CON-04 FORMED & ETCHED FINISH
  - TE: TROWELLED & ETCHED
  - T: TROWELLED

**Volume and weight**

V (m3)	W (KN)
2.21	55.4



**TONY DOYLE ASSOCIATES LTD**  
COMPUTER AIDED DESIGN & DRAWING

**SAMPLE DRAWING**

PLEASE CONTACT US FOR FURTHER EXAMPLES