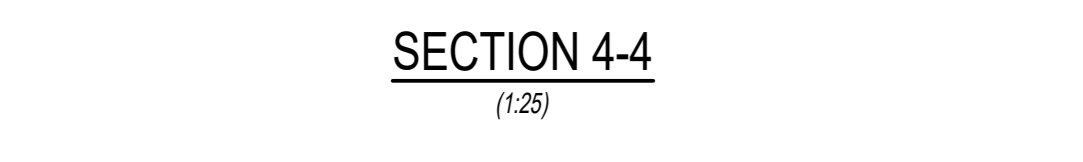
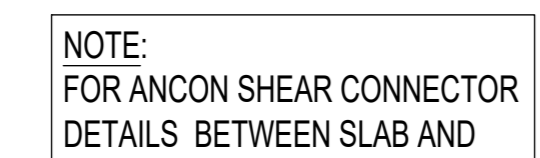
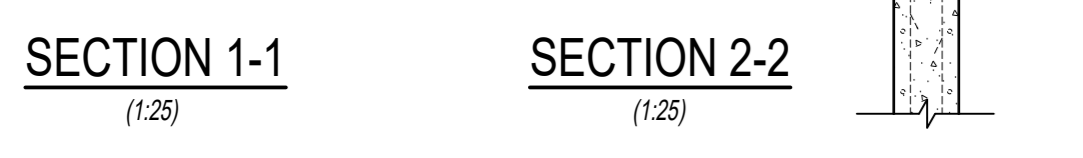
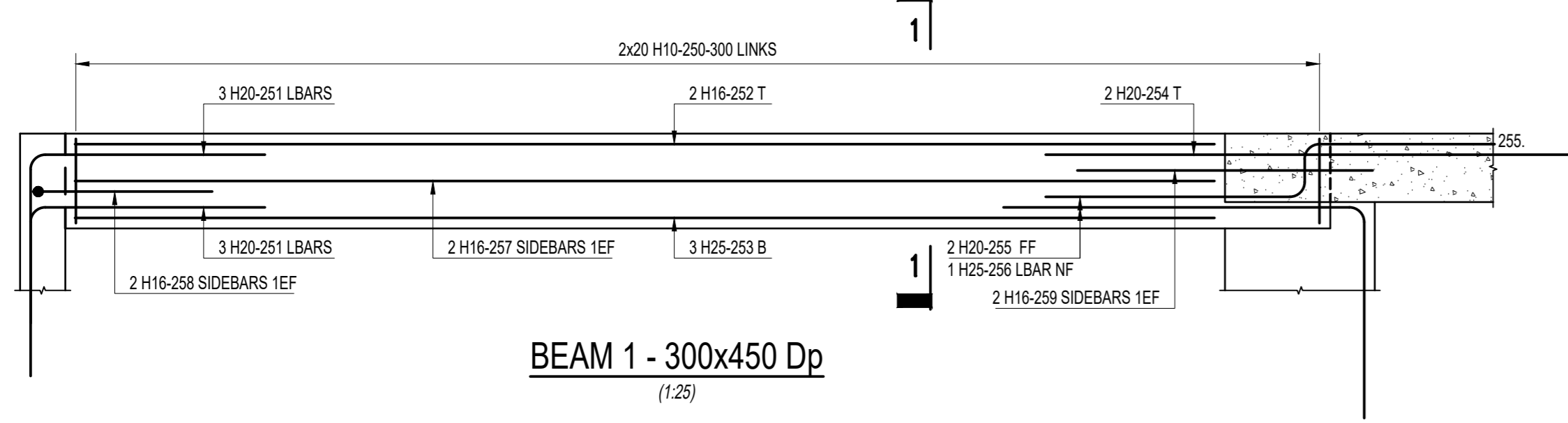


- NOTE:**
- FOR ALL SETTING OUT AND GENERAL NOTES, REFER TO GENERAL ARRANGEMENT DRAWINGS.
 - CONCRETE TO BE GRADE C35.
 - BENDING SCHEDULES 1B01279/3483/01-25.
 - COVER TO REINFORCEMENT TO BE - 25mm BTM, TOP & SIDES.
 - REFER TO SPECIFICATION CLAUSE E10 FOR CONCRETE GRADE AND MANAGEMENT CONTENT.
 - MIN. LAPS :-
 H10 - 400mm
 H12 - 500mm
 H16 - 650mm
 H20 - 850mm
 H25 - 1000mm
 H32 - 1300mm.
 - BENDING SCHEDULES:
 1) TONNAGES ARE APPROXIMATE.
 2) STOCK STEEL EXCLUDED ON CLIENT INSTRUCTION.

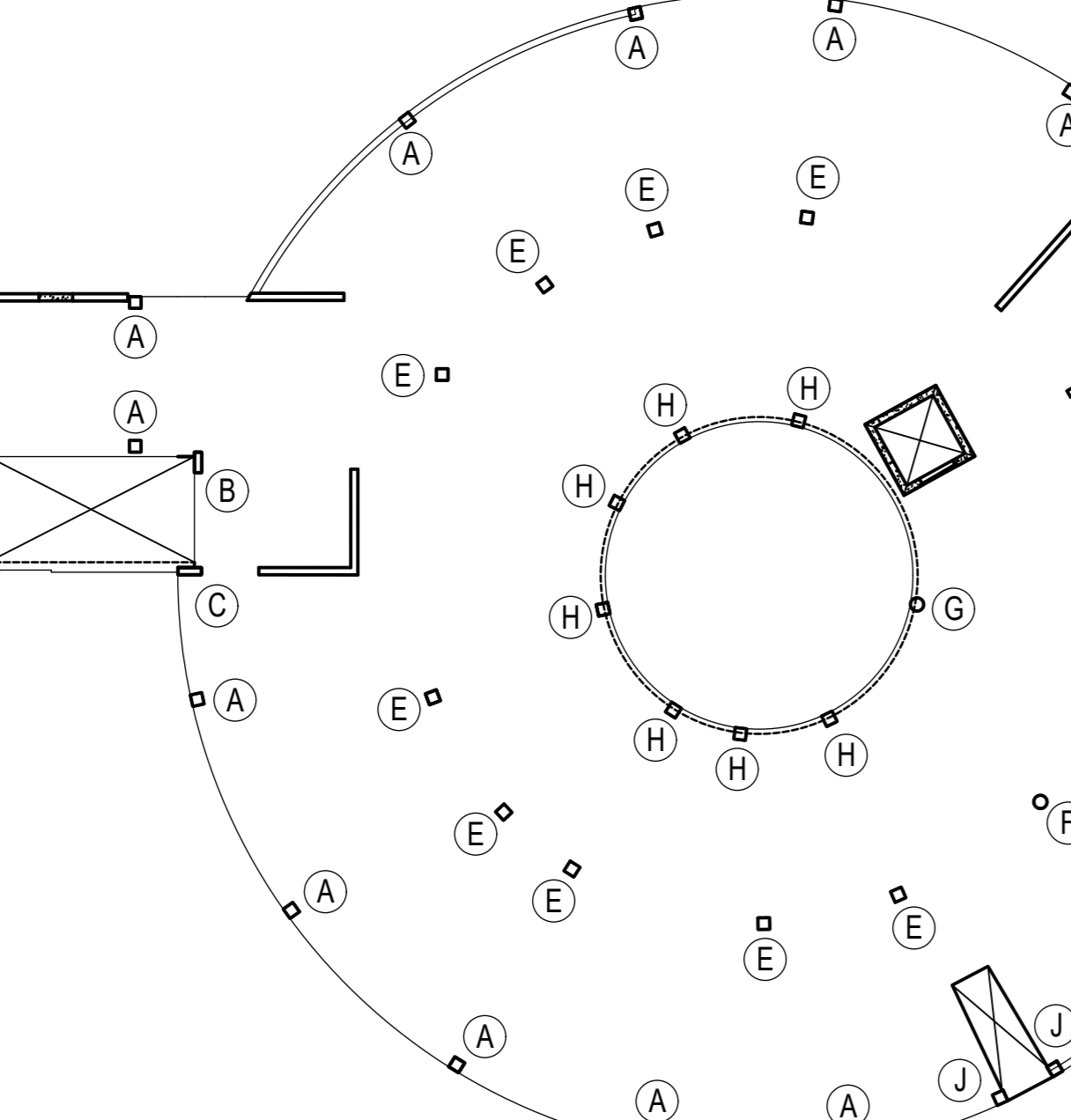
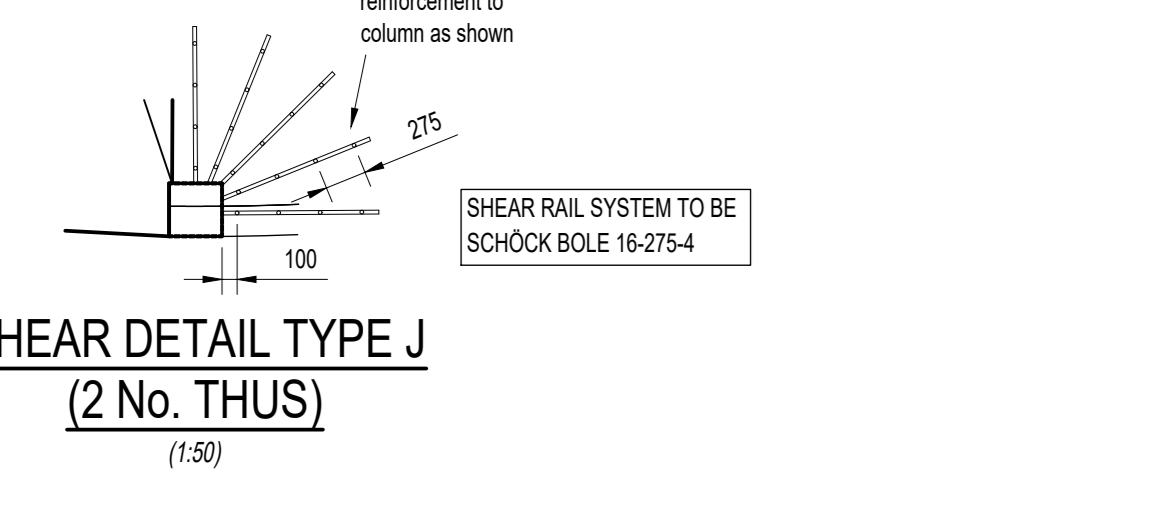
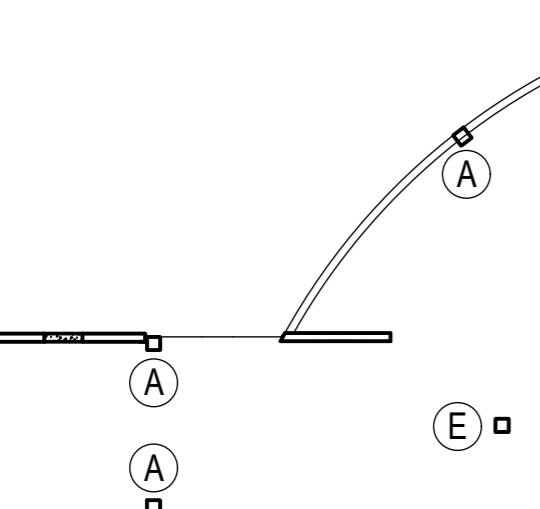
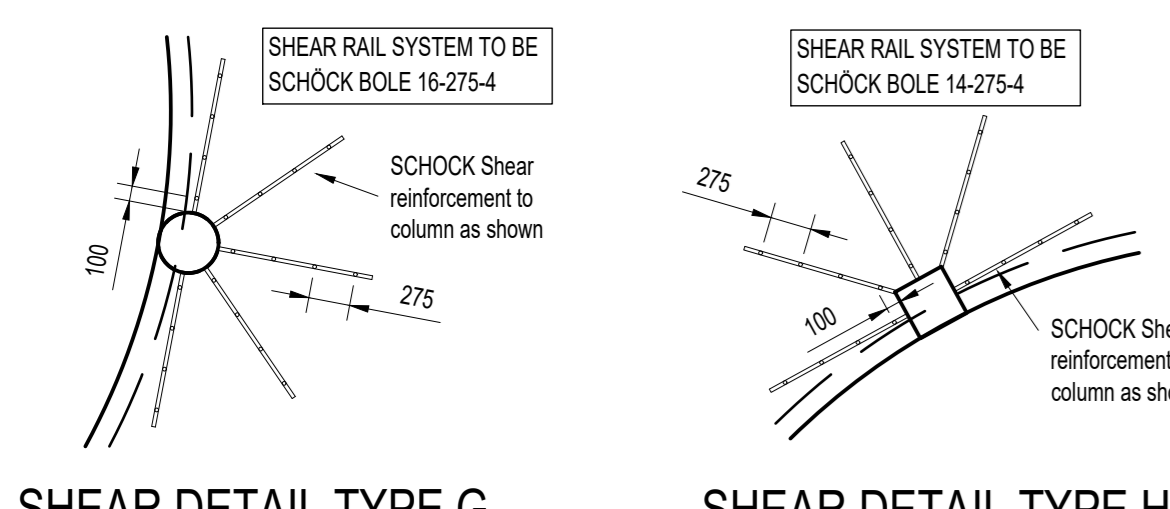
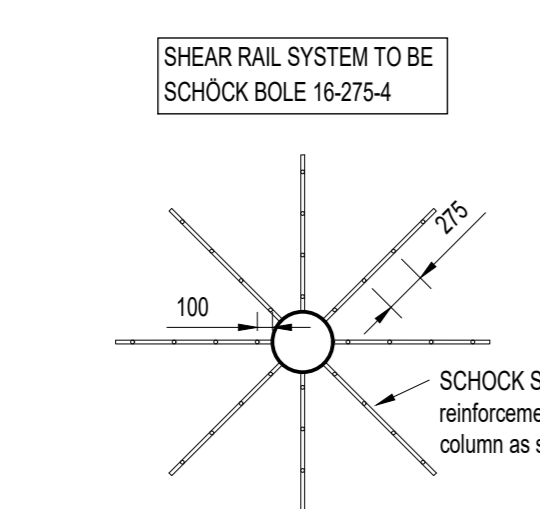
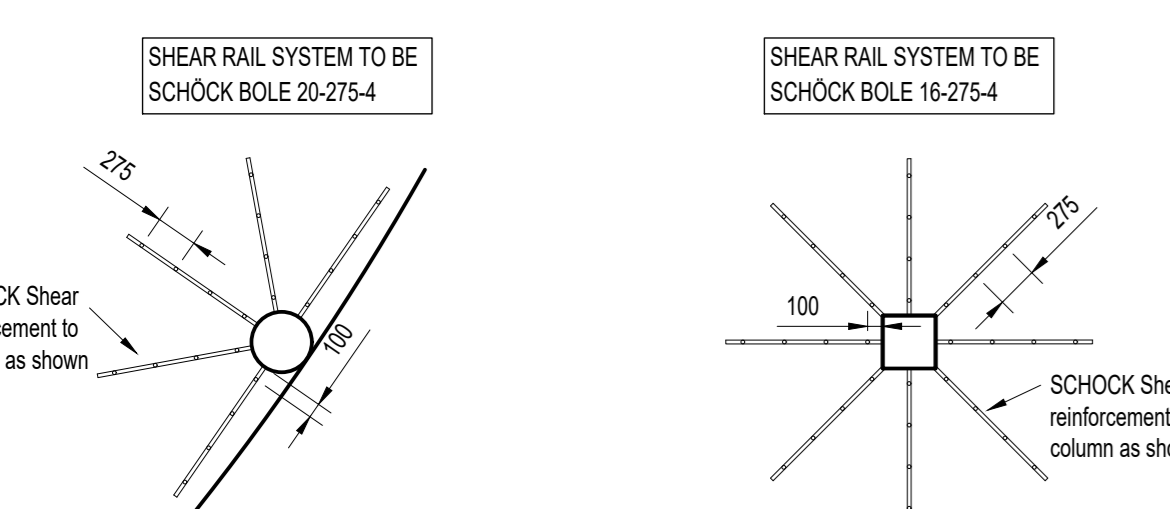
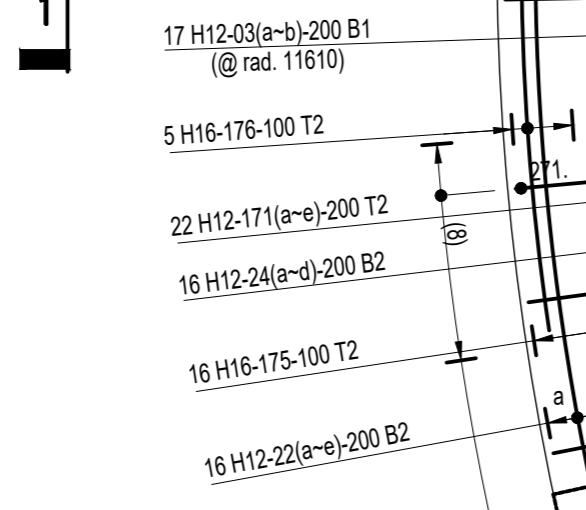
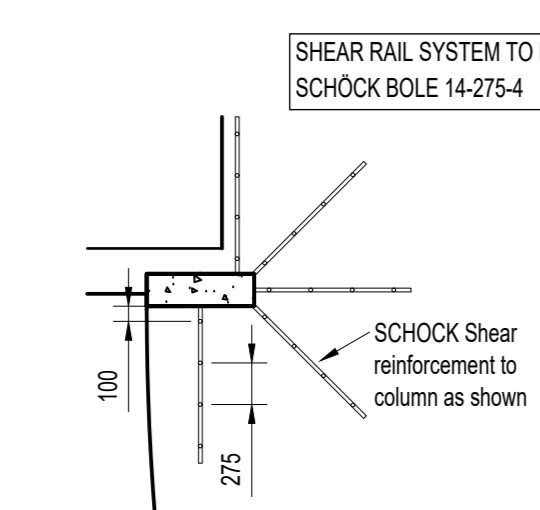
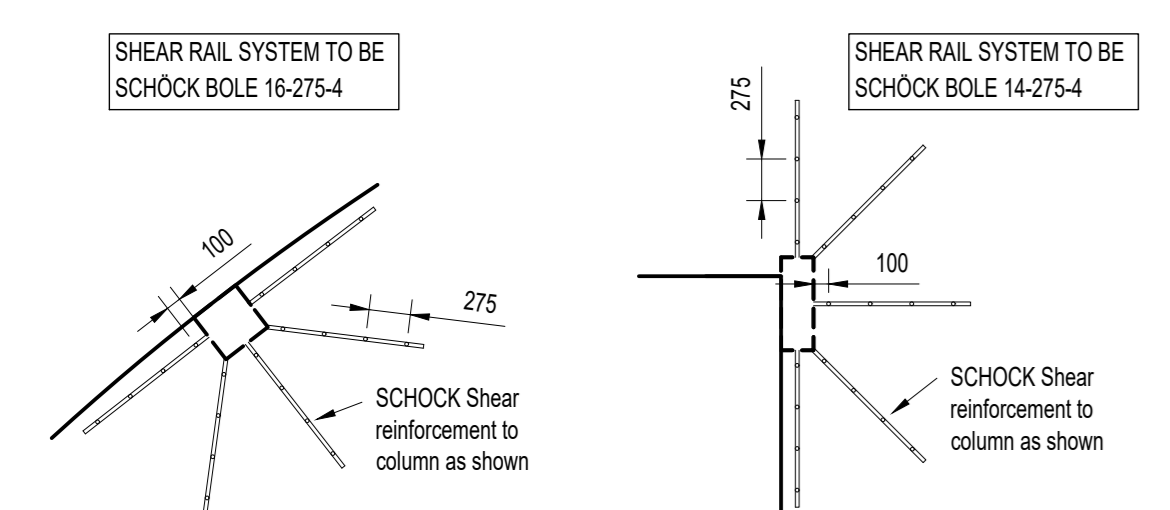


NOTE:
FOR ANCON SHEAR CONNECTOR DETAILS BETWEEN SLAB AND SHEAR WALLS PLEASE REFER TO DRG. No. 3475 & 3476

REINFT. NOTE:
DENOTES 200x100 Dp DOWNSTAND @ R10 H12-200 CUT ON SITE (AS REQD)
240 H16-263-200 LBARS
240 H12-410-200 LBARS
240 H16-263-200 LBARS (BMS 283/294/056 @ RAD 17435)
16 H12-200-200 LBARS @ ENDS

NOTE:
WHERE BARS ARE GREATER RADIUS THAN PERMISSIBLE, CURVATURE TO BE FORMED DURING PLACING

NOTE:
WHERE NO EDGE REINFORCEMENT IS SHOWN @ SHEAR WALL LOCATIONS REFER TO DWGS 3475 & 3476 FOR CONNECTION DETAILS



SHEAR RAIL KEY PLAN
(1:200)

