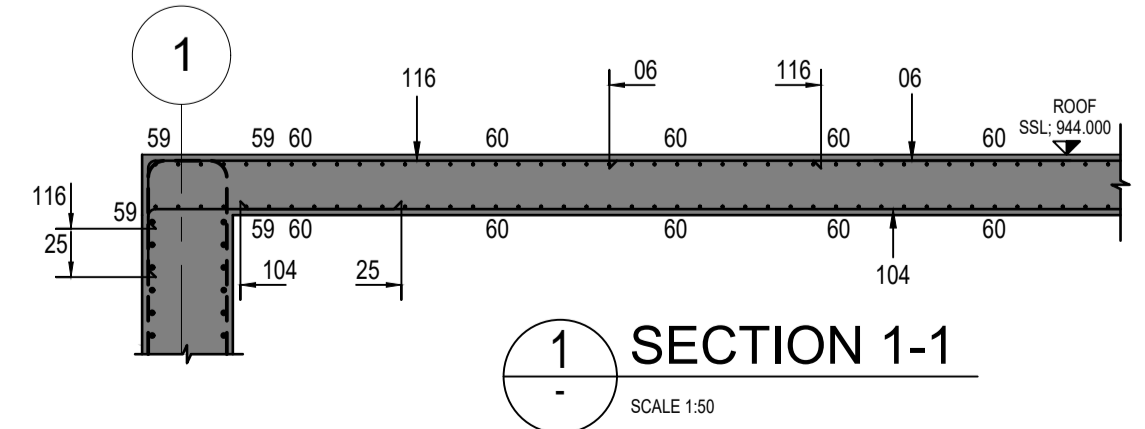
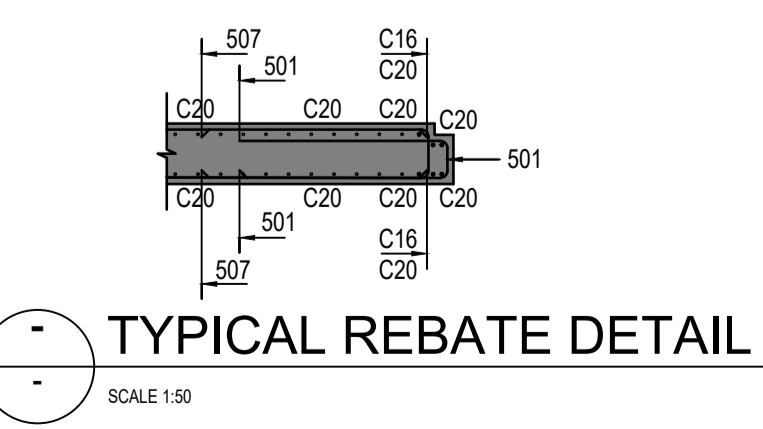


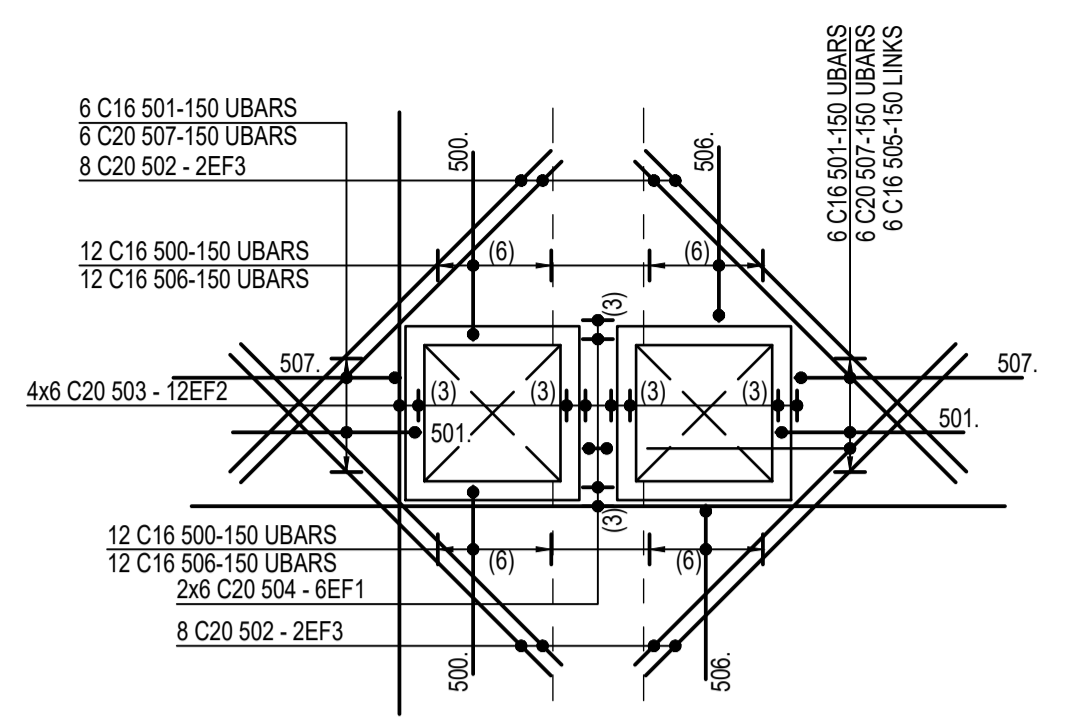
PLAN AT ROOF LEVEL 944.000 (400thk)
SCALE 1:100



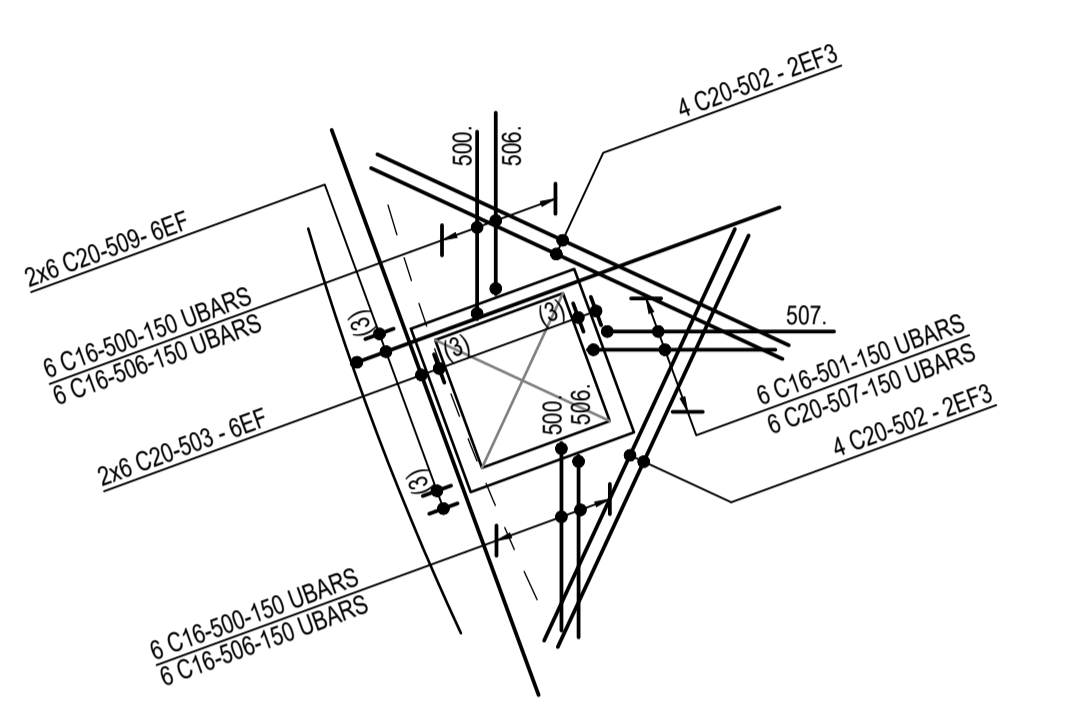
SECTION 1-1
SCALE 1:50



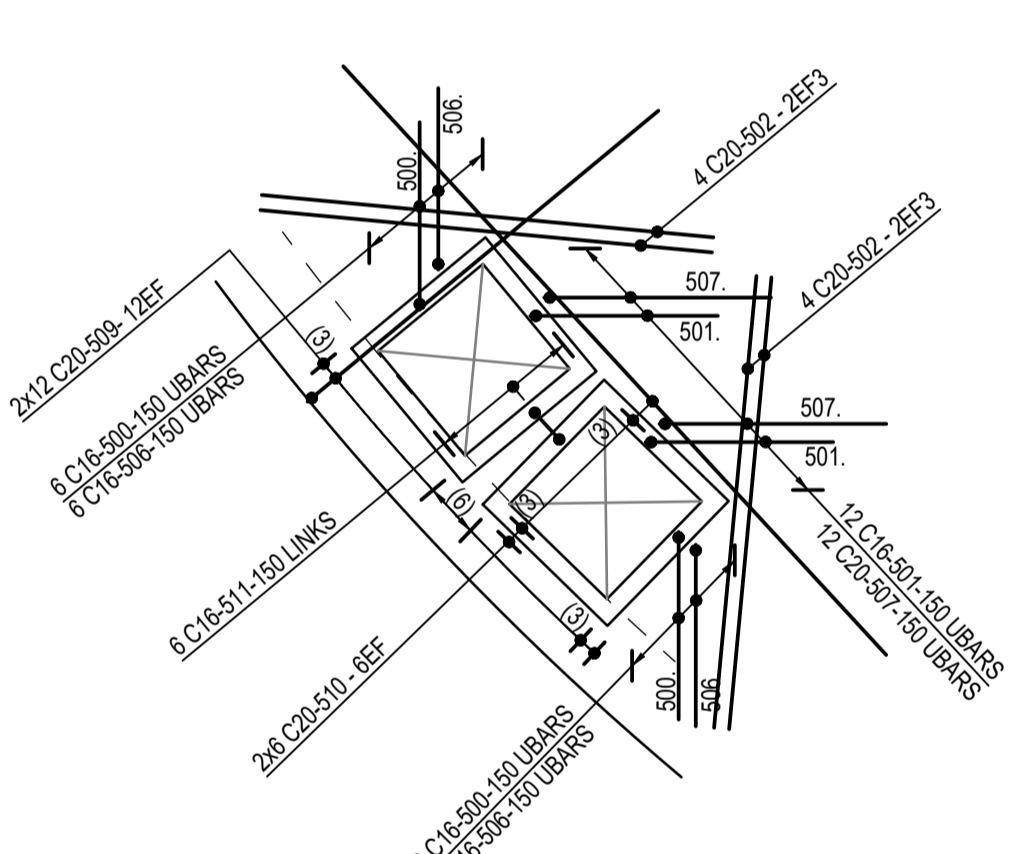
TYPICAL REBATE DETAIL
SCALE 1:50



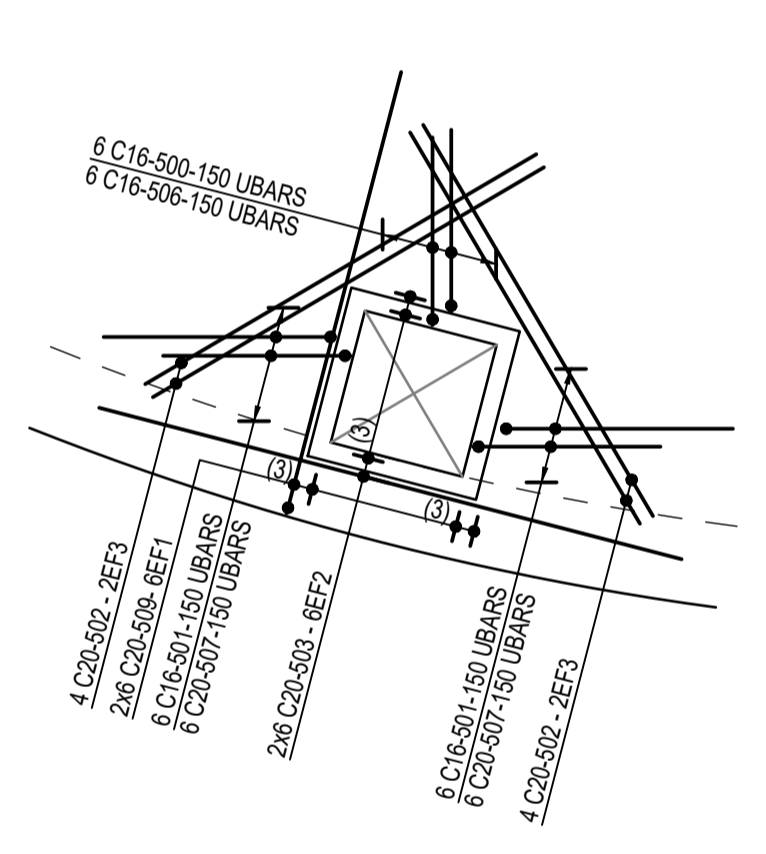
HOLE TRIM DETAIL A
SCALE 1:50 - 2 No. THUS



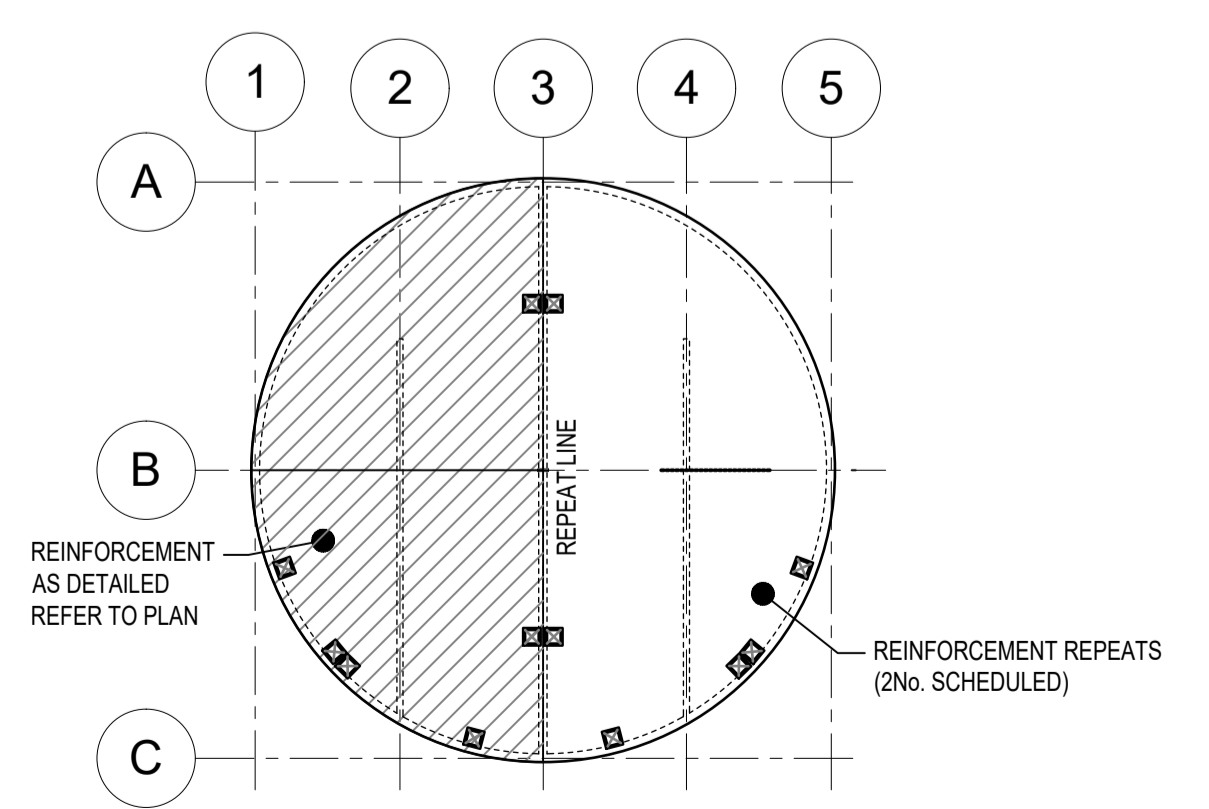
HOLE TRIM DETAIL B
SCALE 1:50 - 1 No. THUS, 1 No. HANDED



HOLE TRIM DETAIL C
SCALE 1:50 - 1 No. THUS, 1 No. HANDED



HOLE TRIM DETAIL D
SCALE 1:50 - 1 No. THUS, 1 No. HANDED



KEY PLAN FOR B2 & T2 LAYERS
SCALE 1:500

- THIS DRAWING TO BE READ IN CONJUNCTION WITH ALL RELEVANT ARCHITECTS, SERVICES ENGINEERS, MECHANICAL ENGINEERS DRAWINGS AND SPECIFICATIONS.
- ALL LEVELS ARE STRUCTURAL UNLESS NOTED OTHERWISE.
- REINFORCEMENT LISTED ON BENDING SCHEDULE SHEETS 1 TO 16 INCLUSIVE
- ABBREVIATIONS:
 - B BARS IN BOTTOM OF SLAB
 - B1 BOTTOM LAYER OF BOTTOM REINFORCEMENT
 - B2 NEXT LAYER OF BOTTOM REINFORCEMENT
 - B3, B4 NEXT LAYERS INSIDE PREVIOUS LAYERS
 - T BARS IN TOP OF SLAB
 - T1 TOP LAYER OF TOP REINFORCEMENT
 - T2 NEXT LAYER OF TOP REINFORCEMENT
 - T3, T4 NEXT LAYERS INSIDE PREVIOUS LAYERS
 - NF BARS IN NEAR FACE OF WALL
 - FF BARS IN FAR FACE OF WALL
 - EF BARS IN EACH FACE OF WALL
 - IF INSIDE FACE OF WALL
 - OF OUTSIDE FACE OF WALL
 - AP BARS ALTERNATELY PLACED
 - AR BARS ALTERNATELY REVERSED
 - AS BARS ALTERNATELY STAGGERED
 - UB U BAR
 - LB L BAR
 - LLB LONG LEG BOTTOM
 - LLT LONG LEG TOP
- DO NOT SCALE - WORK TO FIGURED DIMENSIONS ONLY.
- MINIMUM LAPS AS FOLLOWS: 50% & 100% LAPPED

C10	575 mm	C10	600 mm
C12	725 mm	C12	800 mm
C16	1050 mm	C16	1125 mm
C20	1400 mm	C20	1500 mm
C25	1800 mm	C25	1925 mm
C32	2300 mm	C32	2475 mm
- COVER TO REINFORCEMENT TO BE 40mm MIN. (UNLESS NOTED OTHERWISE)
- REINFORCEMENT TO COMPLY WITH B.S. 8666 : 2005 AND TO BE AS FOLLOWS:
 - H : GRADE B500A, GRADE B500B, GRADE B500C CONFORMING TO BS 4449:2005
 - A : GRADE B500A, CONFORMING TO BS 4449:2005
 - B : GRADE B500B, CONFORMING TO BS 4449:2005
 - C : GRADE B500C, CONFORMING TO BS 4449:2005
 - S : A SPECIFIED GRADE AND TYPE OF RIBBED STAINLESS STEEL CONFORMING TO BS 6744:2001
 - X : REINFORCEMENT OF A TYPE NOT INCLUDED IN THE ABOVE LIST HAVING MATERIAL PROPERTIES THAT ARE DEFINED IN THE DESIGN OR CONTRACT SPECIFICATION
- NOTE: IN THE GRADE DESCRIPTION B500A, ETC. "B" INDICATES REINFORCING STEEL
- KICKERS TO BE 75mm ABOVE GROUND LEVEL 150mm BELOW GROUND LEVEL