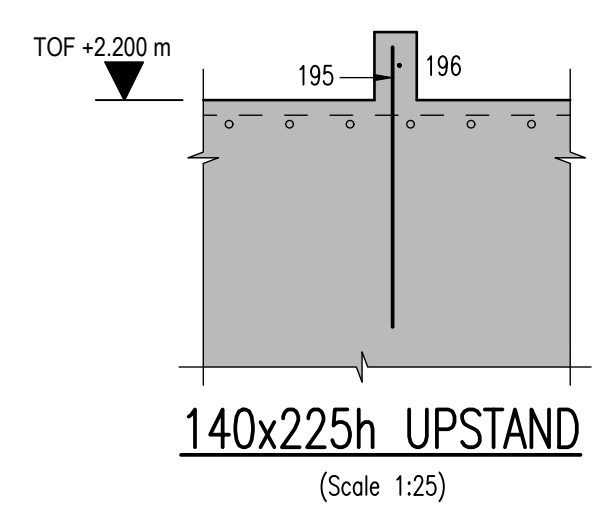
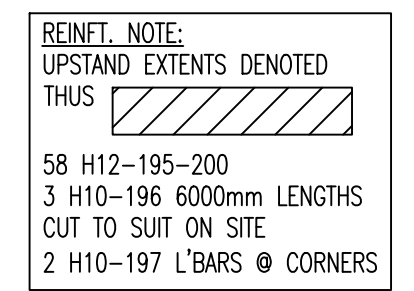


**NOTES**

1. This drawing shall be read in conjunction with all relevant drawings.
2. Concrete Grade to be C35/45.
3. For bar bending schedules refer to schedules no. 47069799-BBS/S-0-9031/01-07.
4. Minimum cover to all reinforcement to be as follows:  
 1500dp Slab: 50mm Top & Sides, 75mm Bottom.  
 350dp Slab: 40mm Top, Bottom & Sides
5. All concrete work to be in accordance with BS EN 1992 and all relevant standards  
 T1 = First top layer of reinforcement  
 T2 = Second top layer of reinforcement  
 B1 = First bottom layer of reinforcement  
 B2 = Second bottom layer of reinforcement  
 N1 = First near face layer  
 N2 = Second near face layer  
 F1 = First far face layer  
 F2 = Second far face layer  
 BF = Both faces  
 EF = Each face  
 LL = long leg  
 ABR = Alternate bars reversed  
 ALT = Alternately place bars  
 STG = Staggered

6. Minimum Laps to be:

Btm Reinf:		Top Reinf:		Anchorage Lengths:	
H10 = 400 mm	H12 = 500 mm	H10 = 550 mm	H12 = 700 mm	H10 = 475 mm	H12 = 575 mm
H16 = 725 mm	H20 = 950 mm	H16 = 1025 mm	H20 = 1350 mm	H16 = 750 mm	H20 = 950 mm
H25 = 1225 mm	H32 = 1550 mm	H25 = 1750 mm	H32 = 2225 mm	H25 = 1175 mm	H32 = 1500 mm



- NOTE:**  
 T3 LAYER TO ACT AS SPACERS BETWEEN LAYERS T2 & T4
- NOTE:**  
 STAGGER IN LAPS OMITTED, WHERE VARYING LENGTH BARS OCCUR, FOR EASE OF FIXING, MARKED THUS (\*\*)
- NOTE:**  
 ADDITIONAL BARS MARKED THUS (\*)
- NOTE:**  
 FOR BTM REINFT & SECTIONS REFER TO DRG. No. 47069799-S-0-9030

FOR CONTINUATION REFER TO DRG. No. 47069799-S-0-9033

FOR CONTINUATION REFER TO DRG. No. 47069799-S-0-9033



**TONY DOYLE ASSOCIATES LTD**  
 COMPUTER AIDED DESIGN & DRAWING

**SAMPLE DRAWING**

PLEASE CONTACT US FOR FURTHER EXAMPLES