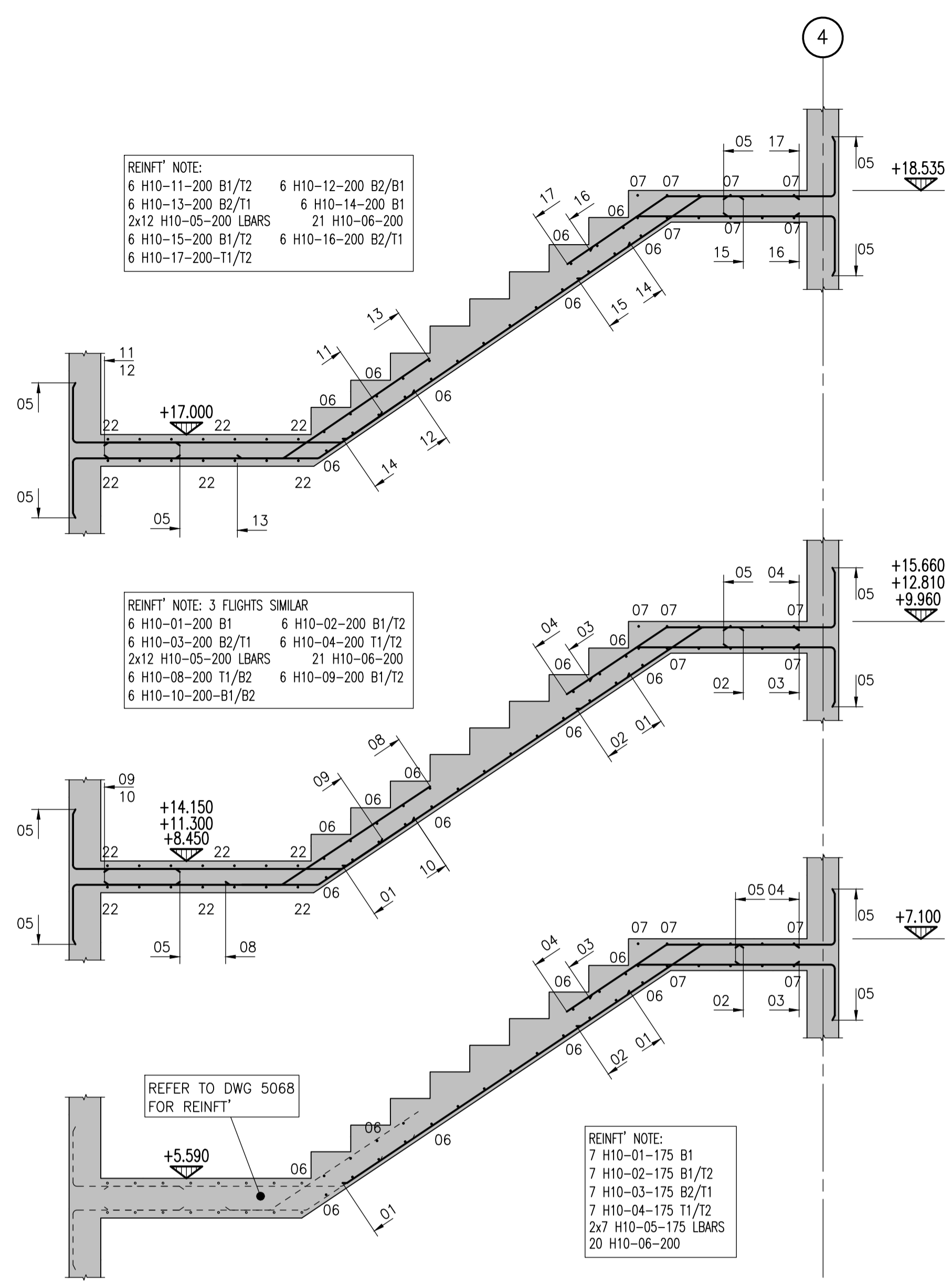


- This drawing shall be read in conjunction with all relevant drawings.
- Concrete grade to be RC40.
- for bar bending schedules refer to schedules nos. 49312807/5093/01-03
- Minimum cover to all reinforcement to be as follows:
Stairs - 25mm for Top & Sides
 - 25mm for bottom
 unless noted otherwise.
- All concrete work to be in accordance with BS8110 and all relevant standards.

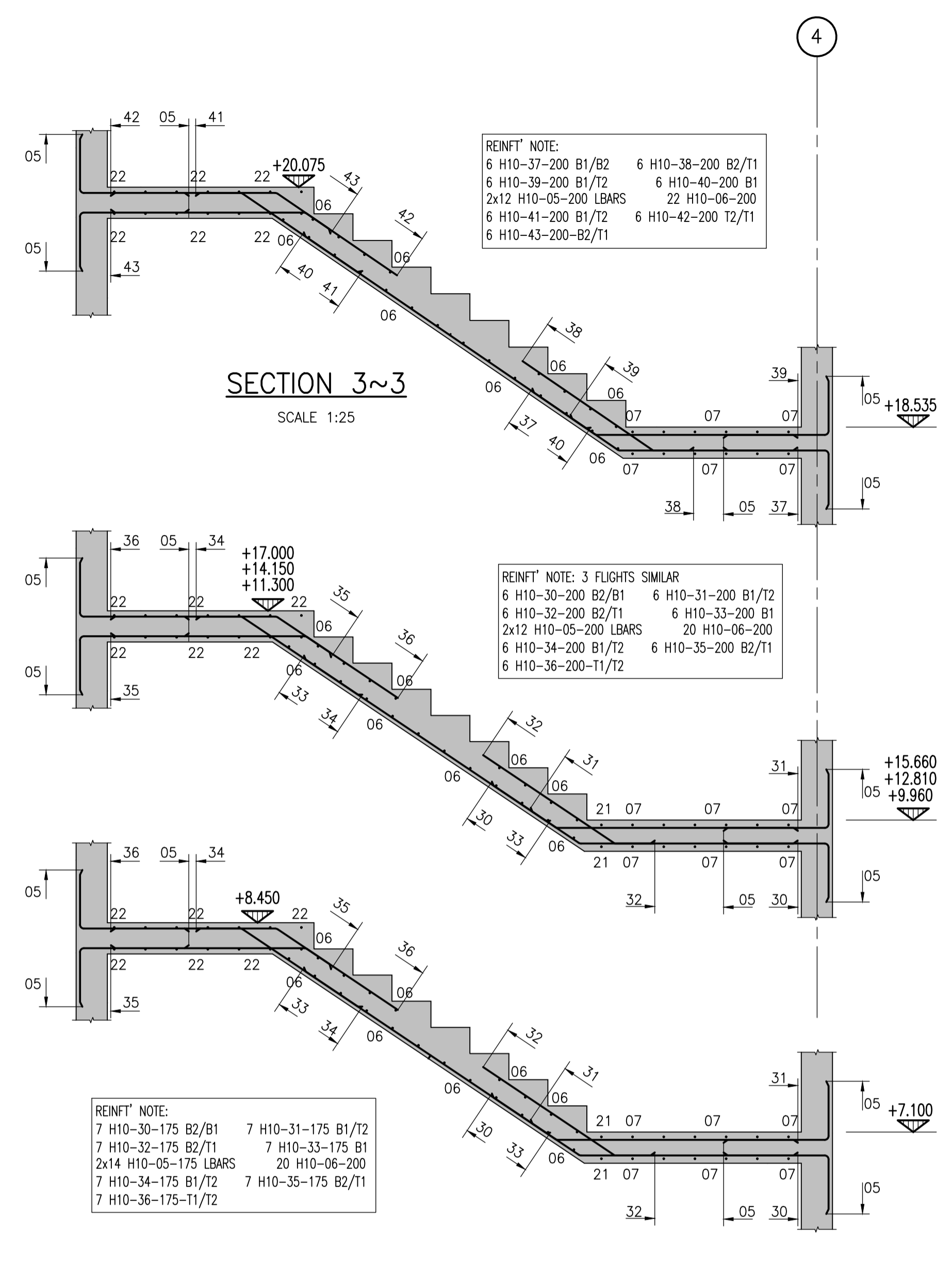
- T1 = Top first layer
T2 = Top second layer
B1 = Bottom first layer
B2 = Bottom second layer
SSL = Structural slab level
T.O.C = Top of concrete
L = Long leg
ABR = Alternate bars reversed
ALT = Alternately placed bars

6. Minimum reinforcement laps to be as follows: (40 x bar dia)

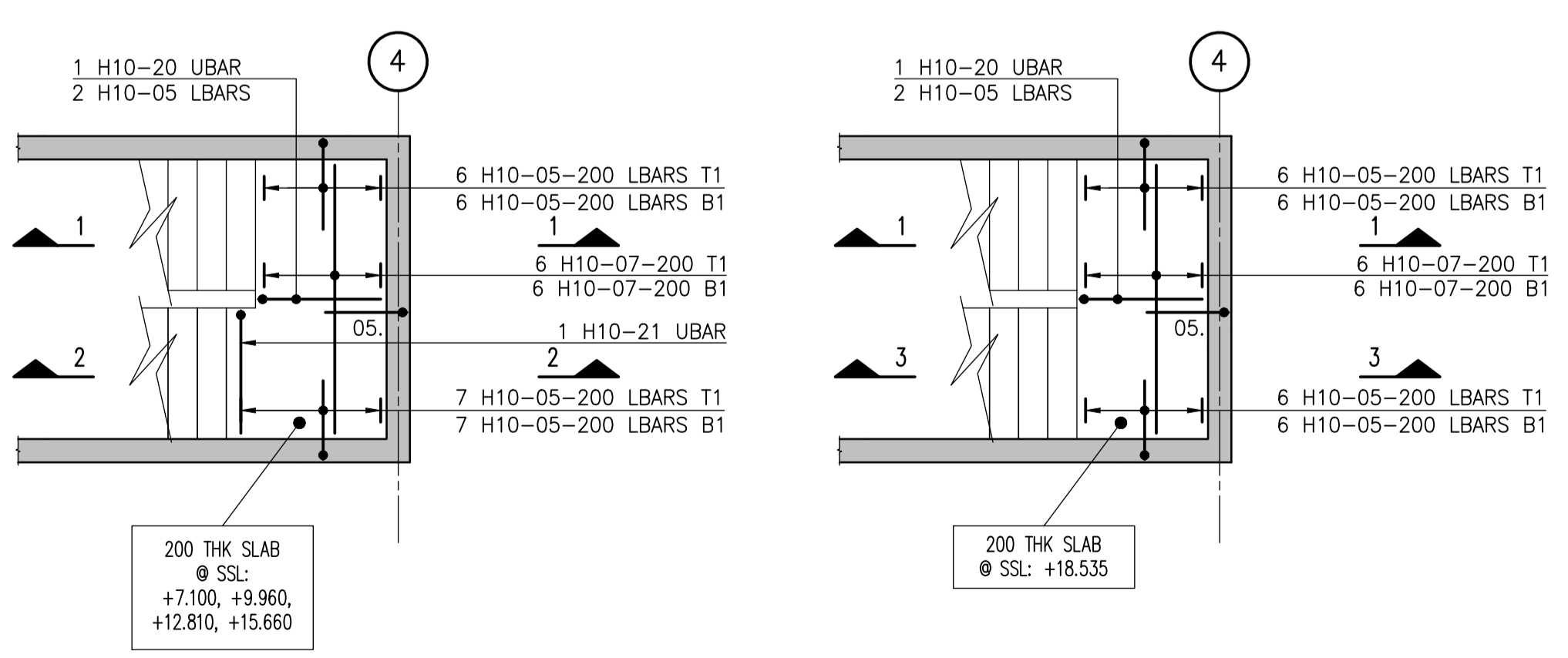
- H8 - 300mm
H10 - 400mm
H12 - 500mm
H16 - 650mm
H20 - 800mm
H25 - 1000mm
H32 - 1250mm



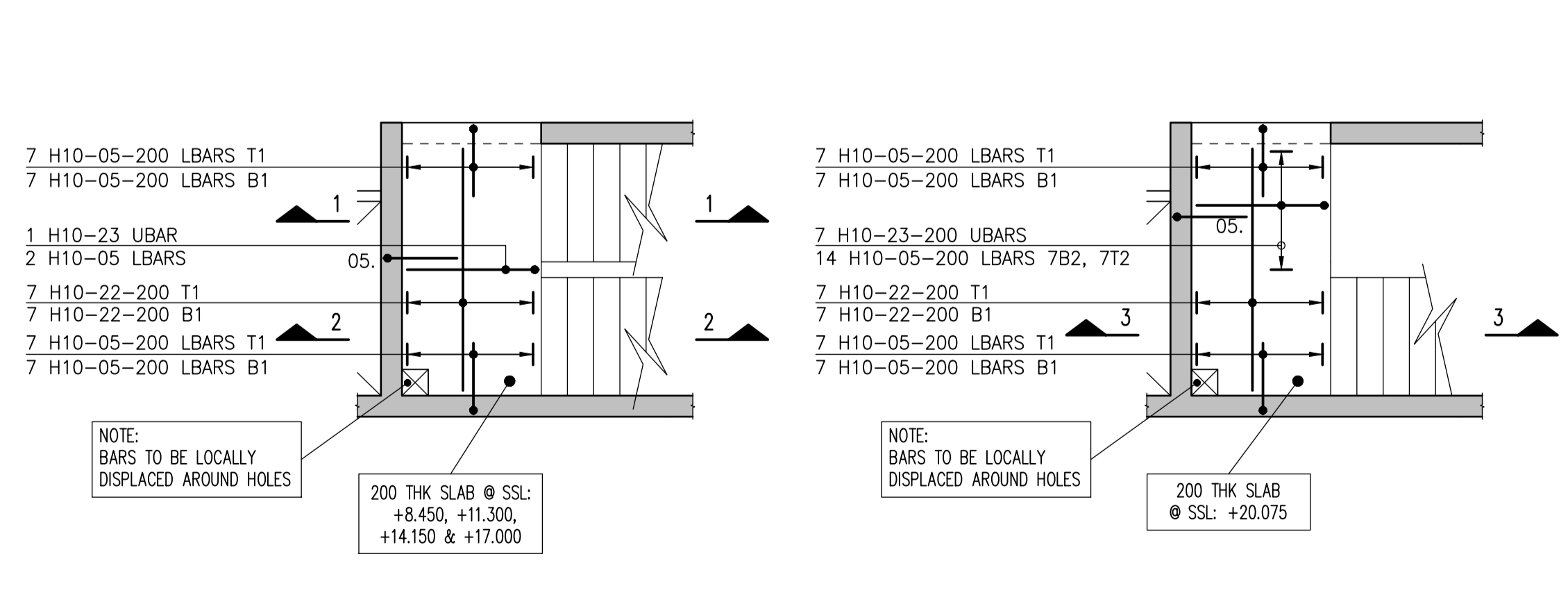
SECTION 1~1
SCALE 1:25



SECTION 2~2
SCALE 1:25



PLAN ON HALF LANDINGS
SCALE 1:50



PLAN ON CORE LANDINGS
SCALE 1:50